

**M23 FEMALE, 90° 19 POLE**

PUR 12x0.34+3X0.75 GRAY, drag ch 10m

Female 90°

M23, 19-pole

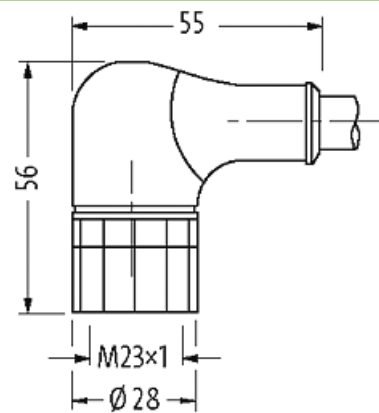
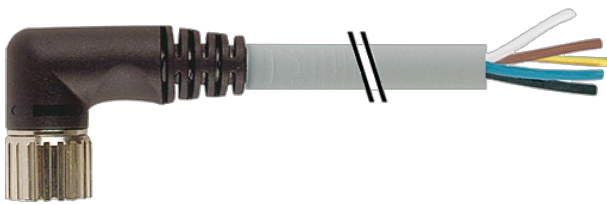
15-pole used

with cable sleeves

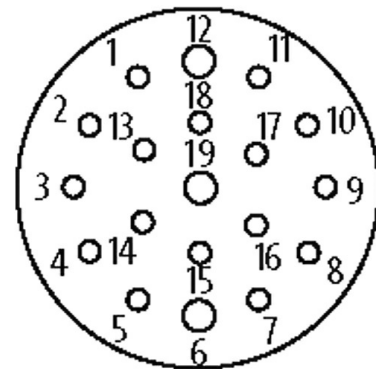
Further cable lengths on request.

Plastic housings with good resistance against chemicals and oils.

The resistance to aggressive media should be individually tested for your application. Further details on request.

**[Link to Product](#)****Illustration**

15	white
7	gray/pink
5	green
4	red/blue
16	yellow
8	white/green
3	gray
14	brown/green
17	pink
9	white/yellow
2	red
13	yellow/brown
19	brown 0.75 mm <sup>2</sup>
6	blue 0.75 mm <sup>2</sup>
12	green/yellow 0.75 mm <sup>2</sup>

**Female**

Product may differ from Image

**Form**

Form 23331

**Technical Data**

Operating voltage max. 125 V AC/DC

Operating current per contact max. 7.5 A

Locking of ports Screw thread (M23×1 mm) recommended torque 2.0 Nm, self-securing

Protection IP67 inserted and tightened (EN 60529)

Compression gland M23 (SW27)

**Cables**

Cable number	388
No./diameter of wires	12× 0.34 + 3× 0.75 mm <sup>2</sup>
Wire isolation	PVC (yebr, rd, grpk, wh, rdbl, gn, whgn, ye, brgn, gr, whye, pk, br, gnye, bl)
C-track properties	2 Mio.
Jacket Color	gray
Material (jacket)	PUR/PVC
Outer Ø	9.8 mm ±5%
Bend radius (fixed)	10× outer Ø
Bend radius (moving)	12× outer Ø
Temperature range (fixed)	-30...+80 °C
Temperature range (mobile)	-5...+70 °C
Color (jacket)	gray

**Commercial data**

country of origin	DE
customs tariff number	85444290
EAN	4048879187893
eClass	27279218
Packaging unit	1