

**IMPACT67 COMPACT MODULE, PLASTIC**

Ethernet/IP, 16 dig Out

Digital outputs

DO16 - 0.5 A

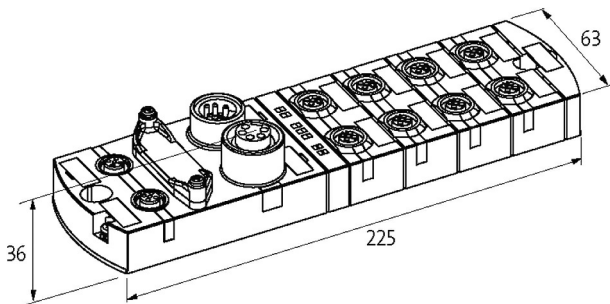
Ethernet 10/100 Mbit/s; M12, D-coded

7/8", 5-pole, 2× max. 9 A

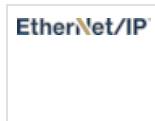
M12, 5-pole, A-coded

Connection cables are in the online shop under "Connection Technology".

Housing fully potted.

**[Link to Product](#)****Illustration**

Product may differ from Image

**General data**

Mounting method	2-hole screw mounting, compatible with I/O modules of MVK model range
Temperature range	0...+55 °C (storage temperature -25...+70 °C)
Protection	IP67
Dimensions H×W×D	39×63×225 mm

**Output**

Switching current per output	max. 0.5 A (short-circuit and overload protected)
------------------------------	---------------------------------------------------

**Connections**

Fieldbus	Ethernet 10/100 Mbit/s; M12, D-coded
Sensor-system/actuator supply	7/8", 5-pole, 2× max. 9 A
I/O ports	M12, 5-pole, A-coded

**EtherNet/IP**

Addressing	DHCP, BOOTP or IP address by rotary switch
------------	--------------------------------------------

**Diagnostic**

Communication status	via LED
Diagnostic via LED	per module and channel
Diagnostic via BUS	per module and channel
Monitoring - under voltage	yes
Monitoring - no voltage	yes

**Commercial data**

country of origin	DE
customs tariff number	85389099
EAN	4048879051927
eClass	27242604
Packaging unit	1.000