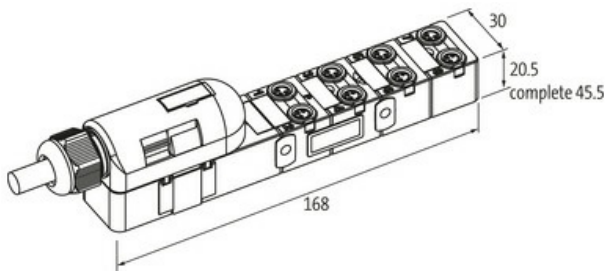
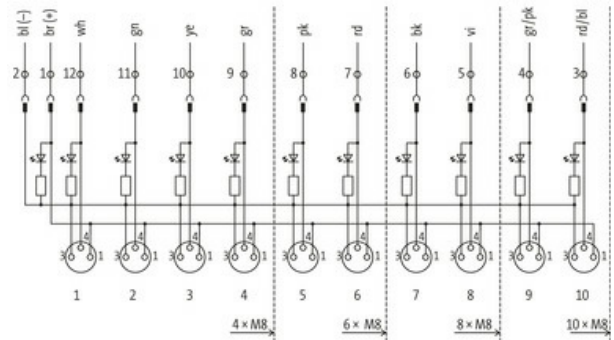


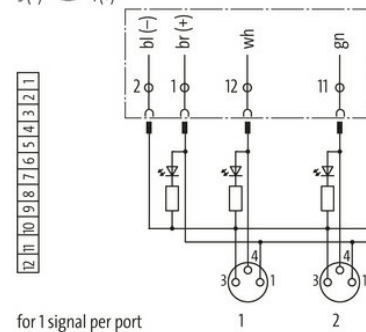
**EXACT8, 8XM8, 3 POLE PLUG. CAP, SPRING-TERM.**

10.0m PUR 8x0,34+2x0,75, UL/CSA

10.0 m

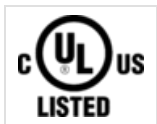
[Link to Product](#)**Illustration**

M8-Females 3-pole



for 1 signal per port

Product may differ from Image

**Form**

Form 88040

**Technical Data**

Operating voltage	24 V DC
Operating current per contact	max. 2 A
Locking of ports	Screw thread (M8x1 mm)
Connection	Spring clamp plug-in terminals: max. 1.5 mm <sup>2</sup> (AWG 16)
Protection	IP67 inserted and tightened (EN 60529)
Housing	Plastic, flame retardant
Total current	max. 8 A

**General data**

Temperature range -20...+80 °C, depending on cable quality

Cables	
No./diameter of wires	8x 0.34 + 2x 0.75 mm <sup>2</sup>
Wire isolation	TPE (vi, bk, rd, pk, gr, ye, gn, wh+br, bl)
C-track properties	5 Mio.
Outer Ø	9.2 mm ±5%
Cable number	359
Color (jacket)	gray
Jacket Color	gray
Temperature range (fixed)	-40...+80 °C
Temperature range (mobile)	-5...+60 °C
Bend radius (fixed)	5x outer Ø
Bend radius (moving)	10x outer Ø
Material (jacket)	PUR (UL/CSA)
Contact Layout	
PIN 1	(+)
PIN 3	(-)
PIN 4	(NO)/(S1)
	LED (green): Power / LED (yellow): (S1)
Commercial data	
country of origin	CZ
customs tariff number	85444290
EAN	4048879054614
eClass	27143423
Packaging unit	1.000