

M12 female 90° B-cod. with cable shielded

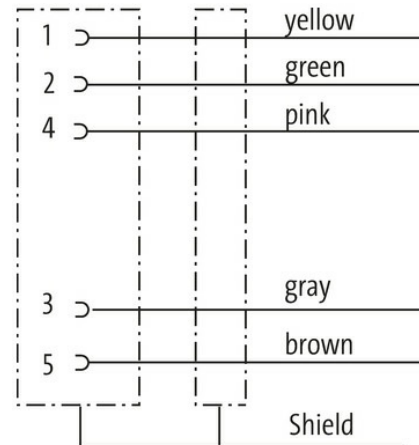
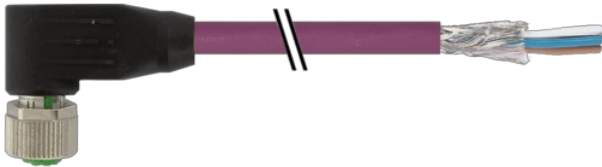
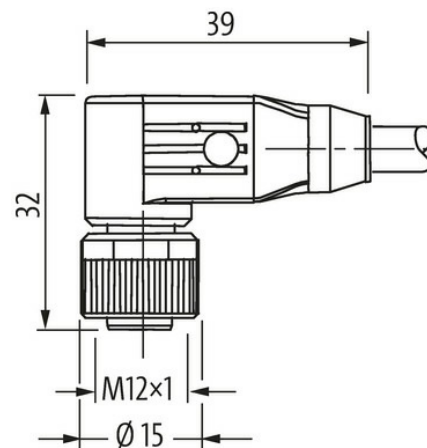
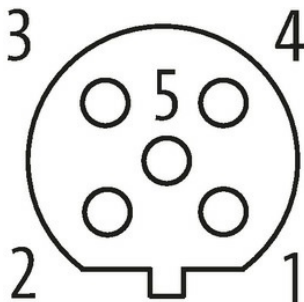
PUR 3x2x0.25 shielded vt 1.5m

Interbus
 Female 90°
 M12, 5-pole
 B-coded
 shielded

Further cable lengths on request.

Plastic housings with good resistance against chemicals and oils.

The resistance to aggressive media should be individually tested for your application. Further details on request.

[Link to Product](#)**Illustration****Female**

Product may differ from Image

**Form**

Form

14271

Technical Data

The information in this brochure has been compiled with the utmost care.
 Liability for the correctness completeness and topicality of the information is restricted to gross negligence. Version: 03/22

| | |
|-------------------------------|--|
| Operating voltage | max. 60 V AC/DC |
| Rated surge voltage | 1.5 kV |
| Operating current per contact | max. 4 A |
| No. of poles | 5 |
| Material group | IEC 60664-1, category I |
| Coding | B-coded |
| Locking of ports | Screw thread (M12×1 mm) recommended torque 0.6 Nm, self-securing |
| Compression gland | M12 (SW13) |
| Protection | IP67 inserted and tightened (EN 60529) |
| Locking material | Zinc die casting, matte nickel plated |

General data

| | |
|-------------------|--|
| Pollution Degree | 3 |
| Temperature range | -25...+85 °C, depending on cable quality |

Cables

| | |
|---------------------------------|--|
| No./diameter of wires | 3× (2× AWG24) |
| Wire isolation | PE (whbr, grpk, gnye) |
| C-track properties | 2 Mio. |
| Outer Ø | 7.7 mm ±5% |
| Cable identification | 799 |
| Approval (cable) | Interbus (DIN 19258/EN50254/IEC 61158 conform) |
| Cable weight [g/m] | 76,49 g |
| Material (wire) | Cu wire, bare |
| Resistor (core) | max. 96 Ω/km (20°C) |
| Single wire Ø (core) | 0.1 mm |
| Construction (core) | 32× 0.1 mm (multi-strand wire class 6) |
| Diameter (core) | 3× (2× AWG24) |
| AWG | similar to AWG 24 |
| Material (wire isolation) | PE |
| Shore hardness (wire isolation) | 55 ±5 D |
| Wire-Ø incl. isolation | 1.4 mm ±5% |
| Color/numbering of wires | (wh, br) + (gr, pk) + (gn, ye) |
| Shield | yes |
| optical shield cover | min. 85% |
| Material (jacket) | PUR |
| Material property (jacket) | CFC-, halogen- and cadmium-free, matt, low-adhesion, machine easy to process, abrasion-resistant |
| Shore hardness (jacket) | 85 ±5 A |
| Outer-Ø (jacket) | 7.7 mm ±5% |
| Color (jacket) | violet |
| Jacket Color | violet |
| chemical resistance | good resistance to oil, gasoline and chemicals (VDE 0472 Teil 803/VDE 0249) |
| Nominal voltage | 250 V AC |
| Test voltage | 1500 V (wire/wire); 1000 V (wire/shield) |
| Temperature range (fixed) | -40...+70 °C |
| Temperature range (fixed) | -40...+80 °C |
| Temperature range (mobile) | -30...+70 °C |
| Temperature range (mobile) | -30...+70 °C |
| Bend radius (fixed) | 6× outer Ø |
| Bend radius (moving) | 15× outer Ø |
| Bend radius (moving) | 12× outer Ø |
| No. of bending cycles (C-track) | max. 2 Mio. (25 °C) |
| Travel speed (C-track) | max. 3 m/s |
| Acceleration (C-track) | max. 3 m/s ² |
| Material (jacket) | PUR |

The information in this brochure has been compiled with the utmost care.

Liability for the correctness completeness and topicality of the information is restricted to gross negligence. Version: 03/22

Commercial data

| | |
|-----------------------|---------------|
| country of origin | DE |
| customs tariff number | 85444290 |
| EAN | 4048879197557 |
| eClass | 27061801 |
| Packaging unit | 1.000 |