

SIEMENS CONTACTOR SUPPRESSOR

Varistor, 24VAC/DC

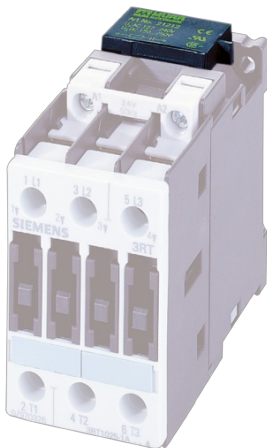
24 V AC/DC

VDR

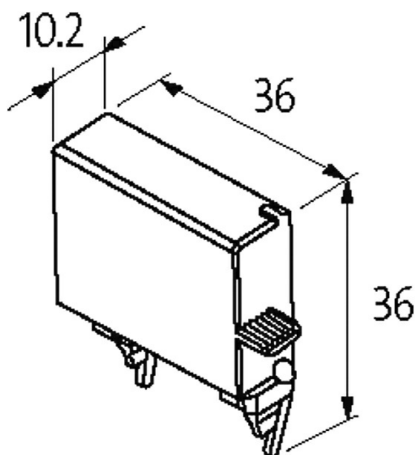
For other configurations and voltages, please inquire.

[Link to Product](#)

Illustration



VDR



Product may differ from Image



Technical Data

Input voltage 24...70 V AC/DC

General data

Temperature range -20...+70 °C

Dimensions H×W×D 36×36×10.2 mm

Appropriate contactors

3 RT 1.3/1.4

3 RT 10.24/25/26

Commercial data

country of origin	CZ
customs tariff number	85363010
EAN	4048879017534
eClass	27371013
Packaging unit	1.000