

## SIEMENS CONTACTOR SUPPRESSOR

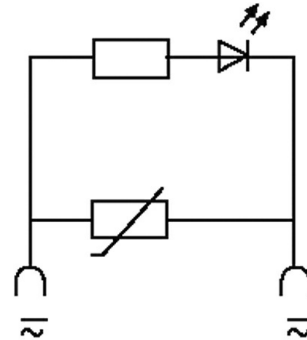
Varistor and LED, 230VAC/DC

230 V AC/DC

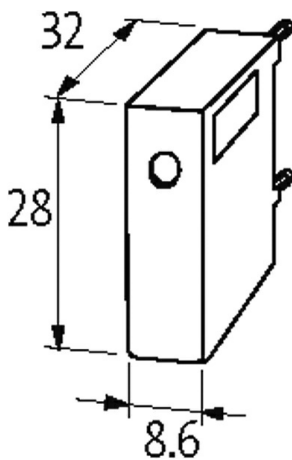
VDR + LED

[Link to Product](#)

### Illustration



VDR + LED



Product may differ from Image



### Technical Data

Input voltage 110...253 V AC/DC

### General data

Dimensions H×W×D 28×8.6×32 mm

### Appropriate contactors

Appropriate contactors 3 RH 1/11; 3 RT 1/3 RH1; 3 RT 1/10.15...10.17

### Commercial data

country of origin DE

customs tariff number	85363010
EAN	4048879017565
eClass	27371013
Packaging unit	1.000