

**RJ45 professional male 45° 4 pol. shielded**

Ethernet

Ethernet CAT5

Male 90°

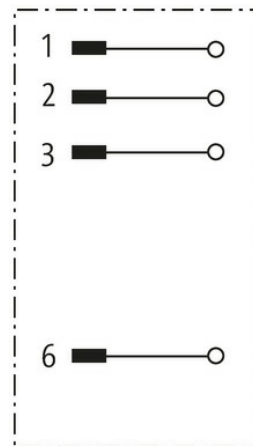
RJ45, 4-pole  
shielded

Protection IP20

Quick connection technology

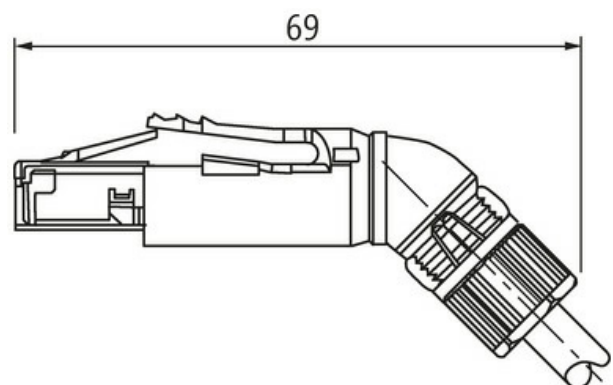
Plastic housings with good resistance against chemicals and oils.

The resistance to aggressive media should be individually tested for your application. Further details on request.

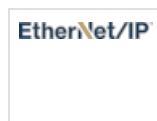
[Link to Product](#)**Illustration**

Male

6 321



Product may differ from Image

**Form**

Form

74021

**Technical Data**

Operating voltage	max. 60 V DC
Operating current per contact	max. 2 A
Transfer parameters	CAT5, Class D (ISO/IEC 11801:2002), (EN 50173-1)
Transfer rate	up to 100 Mbit/s full duplex
Connection cross section	0.14...0.34 mm <sup>2</sup> (AWG 26...22)
Sealing range (cable Ø)	4.5...8.0 mm
Protection	IP20
Outer wire Ø	max. 1.6 mm

**General data**

Temperature range	-40...+70 °C
-------------------	--------------

**Commercial data**

country of origin	RO
customs tariff number	85366990
EAN	4048879409353
eClass	27279221
Packaging unit	1.000