

VALVE PLUG SUPPRESSOR FORM A - 18MM

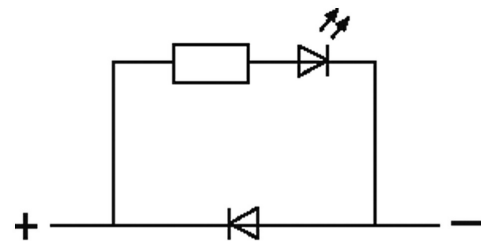
Diode and LED, 24VDC/50VA/W

24 V DC

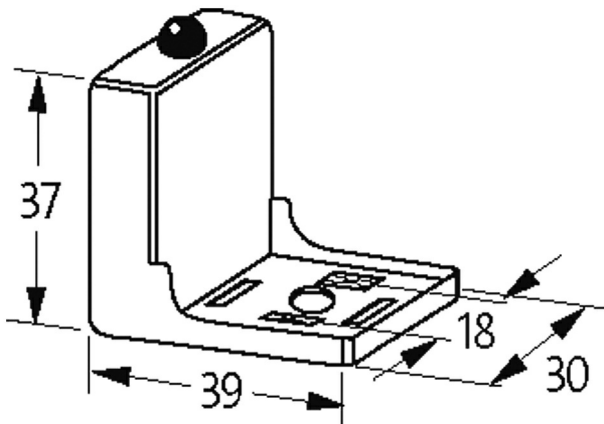
Diode + LED

Remove plug gasket when fitting adapter. Other LED colors on request.

Polarity dependent

[Link to Product](#)**Illustration**

LED + Diode



Product may differ from Image

Technical Data

Switch off peak	1 V
LED display	(yellow opac)
Input voltage	12...30 V DC
max. power (W)	max. 50 W (VA)
Switch off delay time	max. 200 ms

General data

Material (contact)	Silvered bronze
Temperature range	-20...+60 °C
Housing	Polyamide black, flame retardant, temperature resistance up to 130 °C
Dimensions H×W×D	37×39×30 mm

Commercial data

The information in this brochure has been compiled with the utmost care.
Liability for the correctness completeness and topicality of the information is restricted to gross negligence. Version: 03/22

country of origin	CZ
customs tariff number	85363010
EAN	4048879012263
eClass	27371013
Packaging unit	1.000