

SIEMENS CONTACTOR SUPPRESSOR

Diode, 0...240VDC

24...240 V DC

Diode

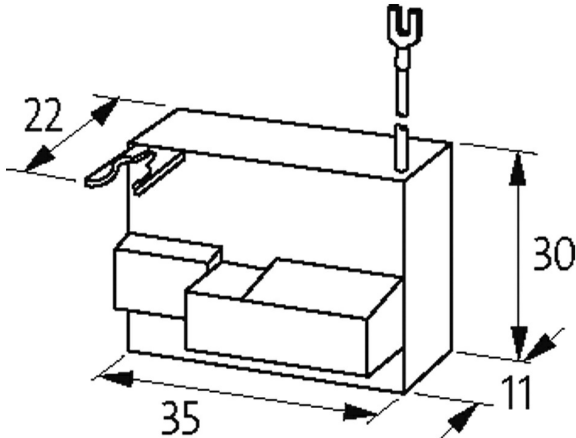
For other configurations and voltages, please inquire.

[Link to Product](#)

Illustration



Diode



Product may differ from Image



Technical Data

| | |
|------------------|---|
| Input voltage | 12...250 V DC |
| Material | Flame retardant plastic acc. to (UL 94) |
| Damping factor | approx. 1.5× UN |
| Connection wires | self-securing cable forks |

General data

| | |
|-------------------|--------------|
| Temperature range | -20...+70 °C |
|-------------------|--------------|

Dimensions H×W×D 35×22×30 mm

Appropriate contactors

3 TH 3/4; 3 TF 30...35; 3 TF 40...45

Commercial data

| | |
|-----------------------|---------------|
| country of origin | CZ |
| customs tariff number | 85363010 |
| EAN | 4048879017428 |
| eClass | 27371013 |
| Packaging unit | 1.000 |