

EXACT12 SAFETY, BACKSIDE SOLDERED SPRING TERM.

P1-4 M12 5-pol. LED, P5-8 M12 4/3-pol. 1:1 no LED

5-pole, 4/3-pole, potentially separated

rear connection

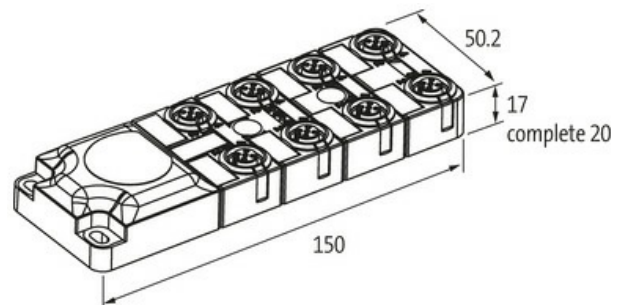
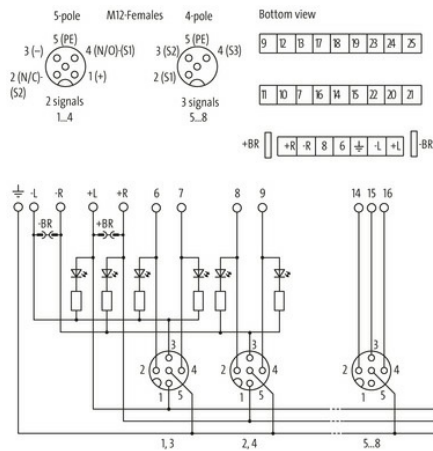
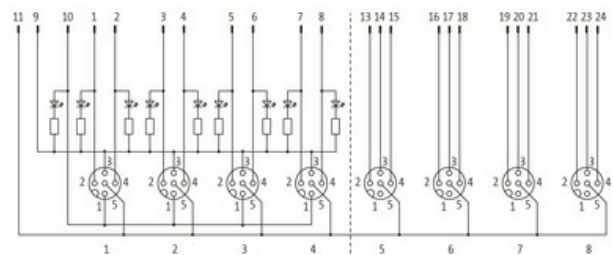
Spring clamp terminals

with LED for digital PNP-signals 24 V DC (port 1...4)

Plastic housings with good resistance against chemicals and oils.

The resistance to aggressive media should be individually tested for your application. Further details on request.

flap gasket included

Link to Product**Illustration**

Product may differ from Image

**Technical Data**

Operating voltage	24 V DC
Operating current per contact	max. 4 A
Locking of ports	Screw thread (M12×1 mm)
Protection	IP65/IP67
Housing	Plastic, flame retardant
Total current	max. 8 A

General data

Temperature range	-20...+60 °C
-------------------	--------------

Commercial data

country of origin	DE
customs tariff number	85369010
EAN	4048879315623
eClass	27143423
Packaging unit	1.000