

Push Pull Power with cable AIDA

PUR 5x2.5 gy UL/CSA+drag ch. 3m

Male straight

PPP, 5-pole

Push Pull Power

with cable sleeves

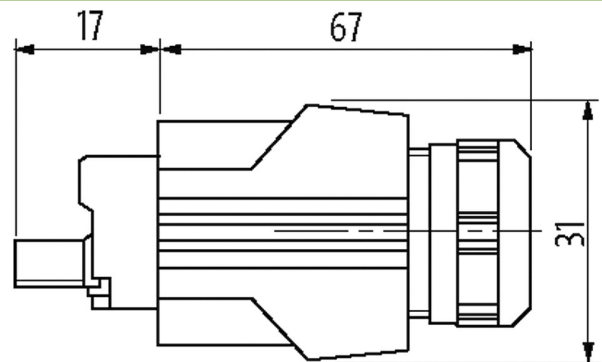
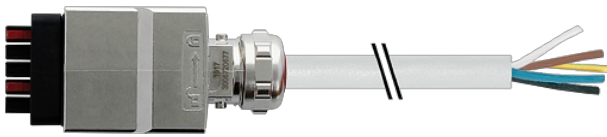
Further cable lengths on request.

Plastic housings with good resistance against chemicals and oils.

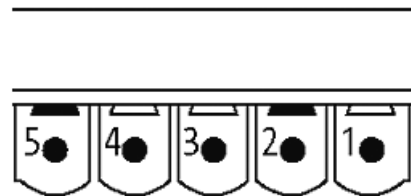
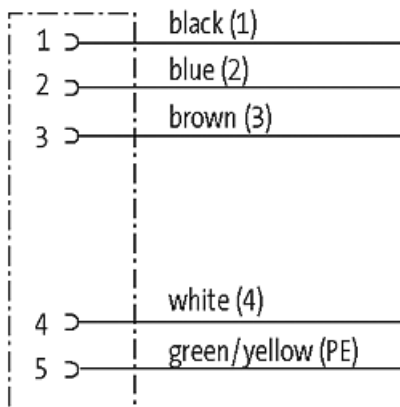
The resistance to aggressive media should be individually tested for your application. Further details on request.

Link to Product

Illustration



Height: 36 mm



Product may differ from Image

Form

Form 99621

Technical Data

| | |
|-------------------------------|--|
| Operating voltage | max. 24 V AC/DC |
| Operating current per contact | max. 16 A |
| Locking of ports | Push Pull |
| Protection | IP65 and IP67 when plugged and screwed down (EN 60529) |

General data

Pollution Degree 2

Temperature range -40...+85 °C, depending on cable quality

| Cables | |
|------------------------------------|--|
| No./diameter of wires | 5× 2.5 mm ² |
| Wire isolation | PP (br, wh, bl, bk num, gnye) |
| C-track properties | 5 Mio. |
| Material (jacket) | PUR (UL/CSA) |
| Outer Ø | 9.7 mm ±5% |
| Bend radius (moving) | 10× outer Ø |
| Temperature range (fixed) | -50...+80 °C |
| Temperature range (mobile) | -20...+80 °C |
| Cable identification | 962 |
| Approval (cable) | UL (AWM-Style 21223/11172), CSA; CE |
| Cable weight [g/m] | 190,30 |
| Material (wire) | Cu wire, bare |
| Resistor (core) | max. 7.98 Ω/km (20 °C) |
| Single wire Ø (core) | 0.15 mm |
| Construction (core) | 140× 0.15 mm (multi-strand wire class 6) |
| Diameter (core) | 5× 2.5 mm ² |
| AWG | similar to AWG 14 |
| Material (wire isolation) | PP |
| Material property (wire isolation) | CFC-, cadmium-, silicone- and lead-free |
| Shore hardness (wire isolation) | 60 ±5 D |
| Wire-Ø incl. isolation | 2.8 mm ±5% |
| Color/numbering of wires | bl, bk, wh, br, num; gnye longitudinally striped |
| Stranding combination | 5 wires twisted around central filler |
| Shield | no |
| Material (jacket) | PUR |
| Material property (jacket) | CFC-, halogen-, cadmium-, silicone- and lead-free, matt, low-adhesion, machine easy to process, abrasion-resistant, hydrolysis and microbial resistant |
| Shore hardness (jacket) | 90 ±5 A |
| Outer-Ø (jacket) | 9.7 mm ±5% |
| Color (jacket) | gray |
| chemical resistance | good resistance to oil, gasoline and chemicals (VDE 0472 Teil 803 Test B) |
| Nominal voltage | 600 V AC |
| Test voltage | 3000 V AC |
| Current load capacity | to DIN VDE 0298-4 |
| Temperature range (fixed) | -50...+80 °C |
| Temperature range (mobile) | -20...+80 °C |
| Bend radius (fixed) | 7.5× outer Ø |
| Bend radius (moving) | 10× outer Ø |
| No. of bending cycles (C-track) | max. 5 Mio. (25 °C) |
| Traversing distance (C-track) | max. 5 m (horizontal) |
| Travel speed (C-track) | max. 3.3 m/s |
| Acceleration (C-track) | max. 5 m/s ² |
| Jacket Color | gray |
| Commercial data | |
| country of origin | CZ |
| customs tariff number | 85444290 |
| EAN | 4048879113878 |
| eClass | 27279218 |
| Packaging unit | 1 |