

MPS POWER SUPPLY 3-PHASE,

IN: 360-550VAC OUT: 22-28V/10ADC

INPUT: 3× 360...550 V AC

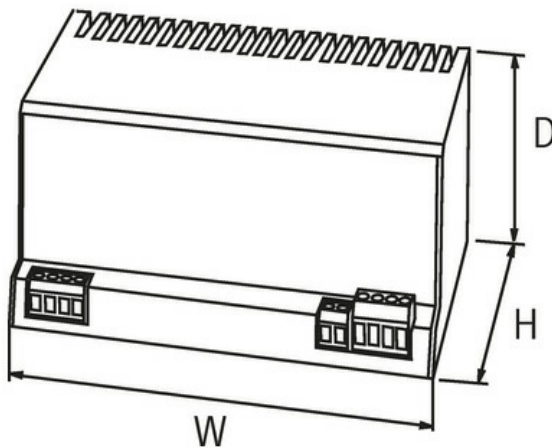
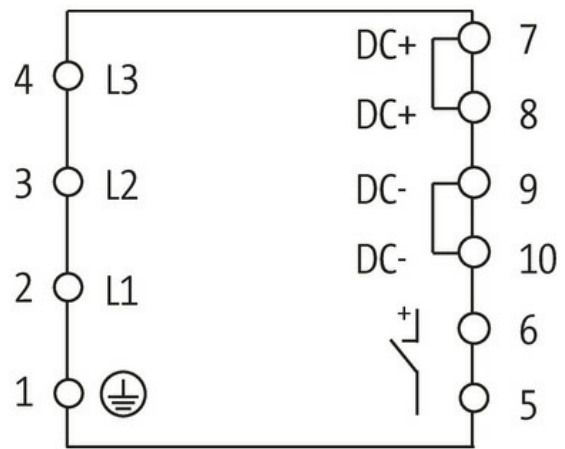
OUTPUT: 22...28 V DC

Current: 10 A

Wide voltage input

Protection IP20

Units decoupling through diode block at parallel usage.

[Link to Product](#)**Illustration**

Product may differ from Image

**General data**

Standards	IEC 61010-2-201, EN 61204-3, EN 55022 B
Mounting method	DIN-rail mountable TH35 (EN 60715), additional plate for screw mounting Art.-No. 89500
Temperature range	0...+60 °C (storage temperature -25...+85 °C)
Relative humidity	30...90%, no condensation

Efficiency	90%
Dimensions H×W×D	132×198×97 mm

Output

Output voltage	24 V DC (SELV), ±1%; 22...28 V adjustable
LED display	LED (green): in operation; LED (red): off; LED (yellow): pre-warning when overheated or overloaded
Phase monitoring	Switching off during 2-phase operation
Output current	10 A (+60 °C); 12 A (+40 °C)
Mains failure bridging time	min. 3 ms (400 V AC)
Ripple	max. 20 mV eff/rms
Spikes	max. 100 mV ss/pp
Unit protection	short-circuit and overload protected
Parallel usage/serial usage	yes/yes

Input

Input voltage	3× 360...550 V AC
Primary fusing external	max. 10 A
Input current	3× 0.41 A
Frequency	50...60 Hz

Commercial data

country of origin	CZ
customs tariff number	85044090
EAN	4048879080620
eClass	27049002
Packaging unit	1.000