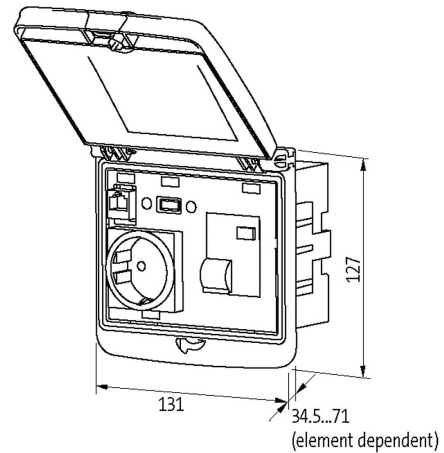


MODLINK MSDD FRAME DBL GRAY

Closure 3 mm double bit incl. pluggable knob

Frame: plastic PA black
 Lid: plastic, PBT gray
 Closure: 3 mm double bit
 with attachable rotation knob

[Link to Product](#)**Illustration**

Product may differ from Image

**Frame**

suitable for mounting with wall thickness	1...5 mm
Protection	IP65
Temperature range	-30...+70 °C (storage temperature -30...+80 °C)
Housing	Frame: plastic PA black, cap: plastic PBT gray

General data

Dimensions H×W×D	127×131×43 mm
------------------	---------------

Commercial data

country of origin	DE
customs tariff number	85389099
EAN	4048879368889
eClass	27144001
Packaging unit	1.000