

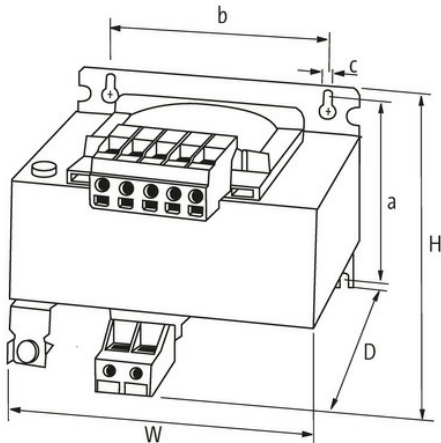
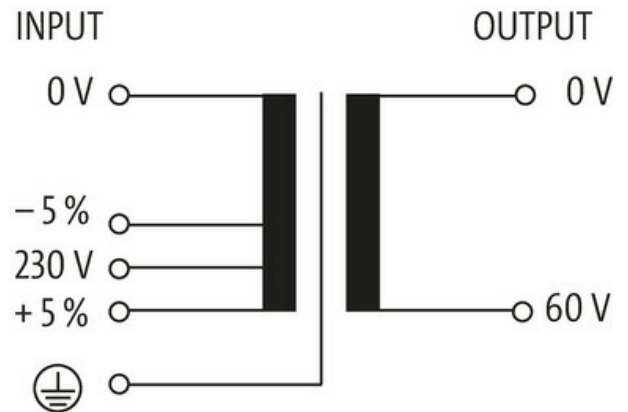
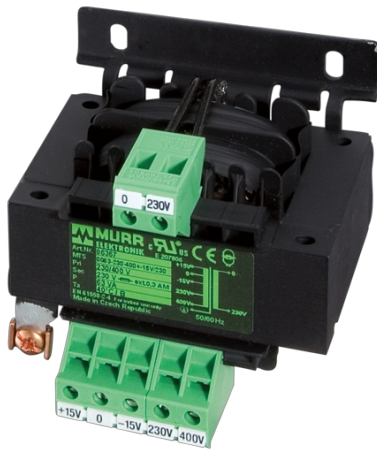
## MST SINGLE-PHASE CONTROL AND ISOLATION TRANSFORMER

P:125VA IN:230VAC±5% OUT:60VAC

Single-phase - Control and Isolation Transformers  
125 VA  
Isolation class T 40/B

### [Link to Product](#)

#### Illustration



Product may differ from Image



#### General data

Standards	EN 61558-1, EN 61558-2-4, EN 62041 category 0
Mounting method	Key-hole mounting
Temperature range	-20...+40 °C (storage temperature -40...+80 °C)
Test isolation voltage	3.8 kV
Drill hole Ø	4.8×12 mm
Fixing centers a×b×c	65.3×64×4.8 mm
Dimensions H×W×D	88×84×95 mm

The information in this brochure has been compiled with the utmost care.  
Liability for the correctness completeness and topicality of the information is restricted to gross negligence. Version: 03/22

Murrelektronik Ltd. | 5 Albion Street, Pendlebury Industrial Estate, Swinton | Manchester M27 4FG | Fon +44 161 728 3133 | Fax +44 161 728 3130 | shop@murrelektronik.co.uk | shop.murrelektronik.co.uk

Output	
Output voltage	60 V AC
Output rating	125 VA
Input	
Input voltage	230 V AC $\pm$ 5%
Inrush current	7.1 A (230 V AC)
Short-circuit current	9.6 A (230 V AC)
Input current	0.65 A (230 V AC)
Frequency	50...60 Hz
Commercial data	
country of origin	CZ
customs tariff number	85043180
EAN	4048879073790
eClass	27031202
Packaging unit	1.000