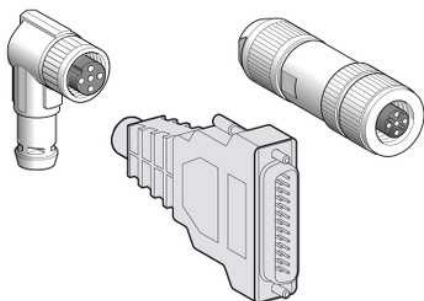


Connectors



Main

Range of product	Magelis GTO
Accessory / separate part designation	Power supply connector
Accessory / separate part type	Power supply connector
Accessory / separate part category	Separate parts
Accessory / separate part destination	3.5" Magelis GTO advanced panel 5.7" Magelis GTO advanced panel 7" Magelis GTO advanced panel 7.5" Magelis GTO advanced panel
Quantity per set	Set of 5

Complementary

Product compatibility	HMIGTO1300 HMIGTO1310 HMIGTO2300 HMIGTO2310 HMIGTO3510 HMIGTO4310 HMIGTO2315
-----------------------	--

The information provided in this documentation contains general descriptions and/or technical characteristics of the performance of the products contained herein. This documentation is not intended as a substitute for and is not to be used for determining suitability or reliability of these products for specific user applications. It is the duty of any such user or integrator to perform the appropriate and complete risk analysis, evaluation and testing of the products with respect to the relevant specific application or use thereof. Neither Schneider Electric Industries SAS nor any of its affiliates or subsidiaries shall be responsible or liable for misuse of the information contained herein.