



### Main

Range of product	Magelis iPC
Product or component type	PC BOX
Device short name	S-BOX PC Universal
Range compatibility	IDisplay
Processor name	Atom N2600 dual core 1.6 GHz
Data storage equipment	Flash disk SSD 80 GB MLC 2000000 h mtbf
Memory description	Internal RAM DDR3 4 GB
Free slots	1 Internal SATA SSD 1 CFAST
Number of slots	1 mini PCI Express full-size

### Complementary

Display resolution	1920 x 1200 pixels
Watchdog timer	1...255 ms
Type of cooling	Fanless
Integrated connection type	2 COM1 serial link - male SUB-D 9 - RS232 1 VGA 3 Ethernet - 10/100/1000 Mbps 5 USB 2.0 port 4 COM1 serial link - male SUB-D 9 - RS232/422/485 1 audio output 1 HDMI
Operating system	Windows Embedded Premium 7 32 bits
Software package	Vijeo Designer software 6.2 or more to download application Vijeo XD run time demo Vijeo Designer run time demo
[Us] rated supply voltage	24 V DC (power supply)
Supply voltage limits	12...24 V
[In] rated current	1.5 A
Power consumption	16 W
Input/Output number	8 configurable by software digital
Depth	133 mm
Height	68.4 mm
Width	264.5 mm
Product weight	2.5 kg

### Environment

Product certifications	CCC GOST CULus
Standards	CSA 22-2 No 60950-1-07 EN 55011 class A group 1 EN 61000-6-4 EN 61131-2 ed. 3 FCC Part 15 UL 60950-1
Quality labels	CE
Directives	2004/108/EC - electromagnetic compatibility 2006/95/EC - low voltage directive
IP degree of protection	IP40 conforming to IEC 60529

Electromagnetic compatibility	Immunity to high frequency interference conforming to IEC 61000-4 Disturbing field emission, class A conforming to EN 55011 Conducted and radiated emissions, class A conforming to EN 55022
Ambient air temperature for storage	-40...85 °C conforming to IEC 60068-2-2 -40...85 °C conforming to IEC 60068-2-14
Relative humidity	10...85 % conforming to EN/IEC 60068-2-30
Ambient air temperature for operation	0...50 °C conforming to EN/IEC 60068-2-2
Operating altitude	2000 m conforming to IEC 60664-1
Vibration resistance	1.75 mm (f = 2...9 Hz) conforming to IEC 60068-2-6 0.5 gn (f = 9...200 Hz) conforming to IEC 60068-2-6
Shock resistance	50 gn for 11 ms conforming to IEC 60068-2-27

### Offer Sustainability

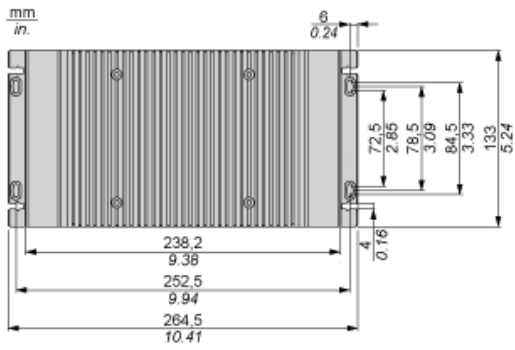
Sustainable offer status	Green Premium product
RoHS (date code: YYWW)	Compliant - since 1402 - <a href="#">Schneider Electric declaration of conformity</a>
REACH	Reference not containing SVHC above the threshold
Product environmental profile	Available <a href="#">Download Product Environmental</a>
Product end of life instructions	Available <a href="#">Download End Of Life Manual</a>

### Contractual warranty

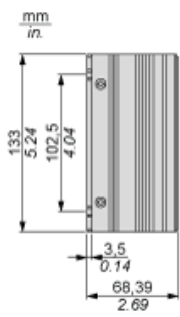
Warranty period	18 months
-----------------	-----------

Dimensions

Top View

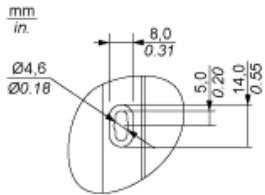


Side View

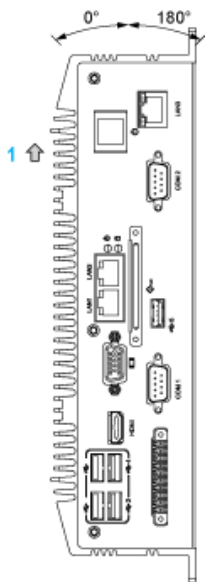


Mounting

Unit Designed for M4 Screws

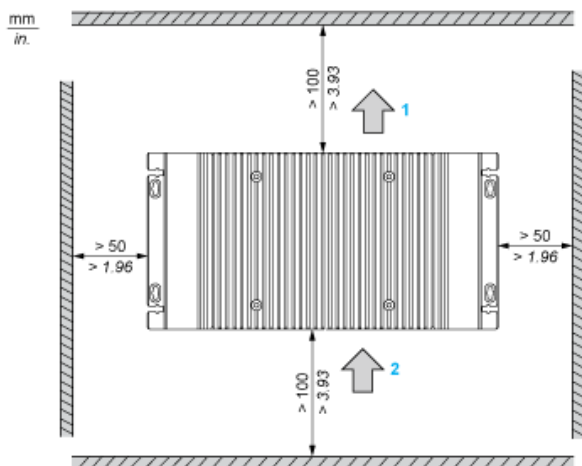


Mounting Angle



(1) Heat sink

Spacing Requirements for Air Circulation



(1) Air out  
(2) Air in