



Main

Range of product	Magelis iPC
Product or component type	PC panel
Terminal type	Touchscreen display
Processor name	Intel i3 dual core 3rd generation 3217UE 3 MB - cache memory
Chipset type	Intel BD82QM77
Data storage equipment	Enterprise hard disk >= 500 GB
Display size	12 inch
Display type	Active matrix colour TFT LCD with LED backlight
Display resolution	1024 x 768 pixels XGA
Display colour	16 million colours

Complementary

Luminance	375 cd/m ²
Backlight lifespan	50000 hours at 25 °C
View angle horizontal x vertical	80 x 80°
Touch panel	Analogue resistive
Memory type	RAM DDR3, 4 GB, expandable to 16 GB
Drive type	DVD-RW
Video controller type	Intel HD Graphics 4000
Type of cooling	Fan
Integrated connection type	2 Ethernet port RJ45 COM1 serial link male SUB-D 9 RS232C 115 kbit/s bottom COM2 serial link male SUB-D 9 RS232C 115 kbit/s bottom DVI video port bottom Audio output mini-jack USB 2.0 type A 480 Mbit/s front panel 4 USB 3.0 type A 5 Gbit/s bottom
Port Ethernet	10BASE-T/100BASE-T/1000BASE-T
Number of slots	1 PCI 33 MHz 1 PCI express 2 Gbit/s
Operating system	Windows 7 64 bits Ultimate multi-language
Software package	Vijeo Designer run time demo
[Us] rated supply voltage	100...240 V AC power supply
Network frequency limits	45...65 Hz
[In] rated current	0.6...2 A
Inrush current	< 20 A
Bezel material	Aluminium alloy
Material	Die cast aluminium
Display material	Polyethylene sheet
Fixing mode	By fixing kit on enclosure door fasteners included
Type of installation	Indoor
Control type	ON/OFF push-button for equipment ON and OFF Push-button for reset
Local signalling	LED multi-colour for power LED orange for accessing hard disk (DISK) LED for link status LED for RUN
Function available	RAID (Redundant Array of Independent Disks)

Width	313 mm
Height	239 mm
Depth	135 mm
Cut-out dimensions	301.5 (+ 1/- 0) x 227.5 (+ 1/- 0) x 1.6...9 mm
Product weight	4.2 kg

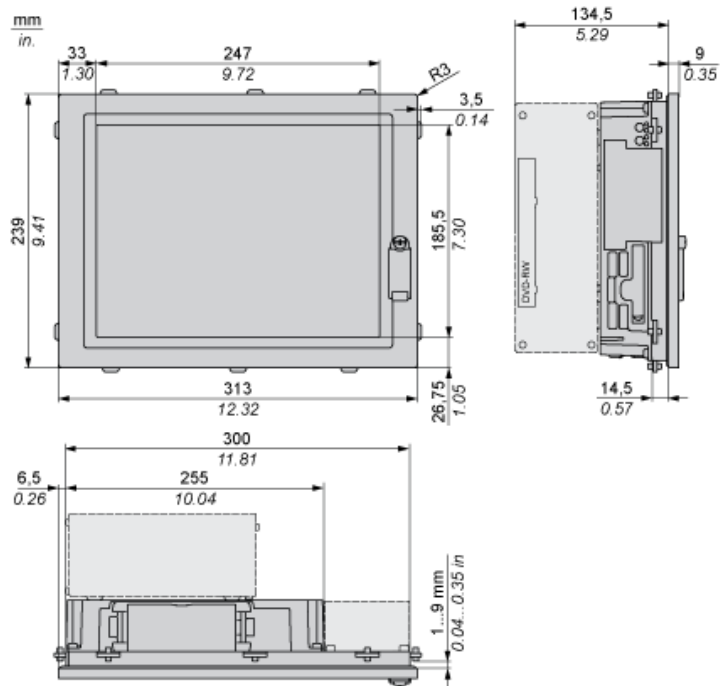
Environment

IP degree of protection	IP65 front panel conforming to EN/IEC 60529
NEMA degree of protection	NEMA 4X front panel
Product certifications	CULus 508 CULus CSA 22-2 No 142 CULus HazLoc Class I Division 2 UL 1604 CULus HazLoc Class I Division 2 ANSI/ISA 12-12-01 CULus HazLoc Class I Division 2 CSA 22-2 No 213 GOST CE C-Tick
Pollution degree	2 conforming to EN/IEC 61131-2
Electromagnetic compatibility	Immunity to electromagnetic emissions class A conforming to EN 55022 Immunity to electromagnetic emissions class A conforming to EN 55011 Immunity to high frequency interference conforming to EN/IEC 61131-2 Immunity to high frequency interference conforming to EN/IEC 61000-4-x
Ambient air temperature for operation	0...50 °C, vertical installation conforming to UL 508 0...45 °C, vertical installation when using Gigabit Ethernet with HDD storage device conforming to UL 508 0...50 °C, vertical installation conforming to IEC 61132-2 0...45 °C, vertical installation when using Gigabit Ethernet with HDD storage device conforming to IEC 61132-2
Ambient air temperature for storage	-20...60 °C conforming to IEC 60068-2-2 test Bb -20...60 °C conforming to IEC 60068-2-14 test Na
Relative humidity	10...85 % non-condensing conforming to EN/IEC 60068-2-78 10...85 % non-condensing conforming to EN/IEC 60068-2-30
Operating altitude	2000 m conforming to EN/IEC 61131-2
Vibration resistance	1.75 mm (f = 2...9 Hz) continuous conforming to EN/IEC 60068-2-6 Fc 3.5 mm (f = 2...9 Hz) intermittently conforming to EN/IEC 60068-2-6 Fc 0.5 gn (f = 9...200 Hz) continuous conforming to EN/IEC 60068-2-6 Fc 1 gn (f = 9...200 Hz) intermittently conforming to EN/IEC 60068-2-6 Fc 1 mm (f = 3...13.2 Hz) continuous conforming to EN/IEC 60068-2-6 Fc 0.7 gn (f = 13.2...100 Hz) continuous conforming to EN/IEC 60068-2-6 Fc
Shock resistance	15 gn for 11 ms conforming to IEC 60068-2-27, Ea tests

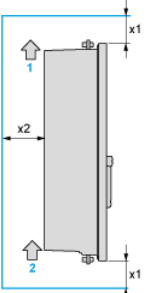
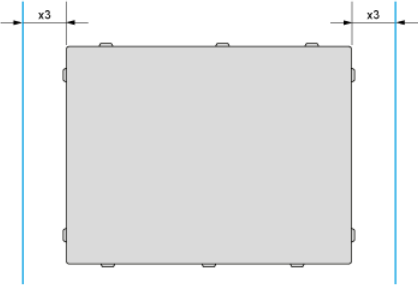
Offer Sustainability

Sustainable offer status	Not Green Premium product
RoHS (date code: YYWW)	Compliant - since 1426 - Schneider Electric declaration of conformity
REACH	Reference not containing SVHC above the threshold

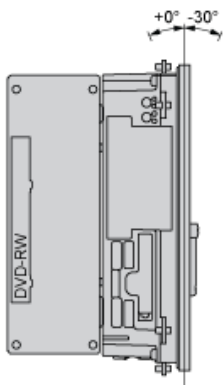
Dimensions



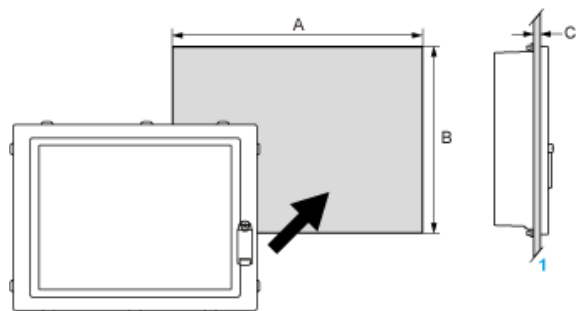
Spacing Requirement

Top, Bottom and Rear Sides	Left and Right Sides
 <p>1 Air out 2 Air in</p>	

Mounting Orientation



Panel Cut Dimensions



1 Installation panel

A	B	C
301.5 +1/0 mm (11.87 +0.04/0 in.)	227.5 +1/0 mm (8.96 +0.04/0 in.)	1.6...9 mm (0.06...0.35 in.)