

CIRCUIT-BREAKER, SIZE S0, FOR MOTOR PROTECTION, CLASS 10, A REL.4.5A...6.3A, N REL.82A, SCREW CONNECTION, STANDARD BREAKING CAPACITY W. TRANSV. AUX. SWITCH 1NO/1NC REUSABLE PACKING PACKING = 61 ITEMS



Figure similar

product brand name	SIRIUS
Product designation	circuit breaker
Design of the product	for motor protection

**General technical data**

<b>Product extension</b>	
• Auxiliary switch	Yes
<b>Power loss [W] total typical</b>	6 W
<b>Surge voltage resistance rated value</b>	6 000 V
<b>Protection class IP</b>	
• on the front	IP20
<b>Shock resistance</b>	25g / 11 ms
<b>Mechanical service life (switching cycles)</b>	
• of the main contacts typical	100 000

**Ambient conditions**

<b>Installation altitude at height above sea level maximum</b>	2 000 m
<b>Ambient temperature</b>	

• during operation	-20 ... +60 °C
• during storage	-50 ... +80 °C
• during transport	-50 ... +80 °C

### Main circuit

<b>Number of poles for main current circuit</b>	3
<b>Adjustable pick-up value current of the current-dependent overload release</b>	4.5 ... 6.3 A
<b>Operating voltage</b>	
• rated value	690 V
• at AC-3 rated value maximum	690 V
<b>Operating current</b>	
• at AC-3	
— at 400 V rated value	6.3 A
<b>Operating power</b>	
• at AC-3	
— at 400 V rated value	2.2 kW
<b>Operating frequency</b>	
• at AC-3 maximum	15 1/h

### Auxiliary circuit

<b>Design of the auxiliary switch</b>	transverse
<b>Number of CO contacts</b>	
• for auxiliary contacts	0
<b>Operating current of auxiliary contacts at AC-15</b>	
• at 24 V	2 A
• at 230 V	0.5 A
<b>Operating current of auxiliary contacts at DC-13</b>	
• at 24 V	1 A
• at 60 V	0.15 A

### Protective and monitoring functions

<b>Trip class</b>	CLASS 10
<b>Maximum short-circuit current breaking capacity (Icu)</b>	
• at AC at 240 V rated value	100 kA
• at AC at 400 V rated value	100 kA
• at AC at 500 V rated value	100 kA
• at AC at 690 V rated value	6 kA

### Short-circuit protection

<b>Design of the overcurrent release and short-circuit release</b>	thermomagnetic
--	----------------

### Installation/ mounting/ dimensions

<b>Mounting position</b>	any
--------------------------	-----

<b>Mounting type</b>	screw and snap-on mounting onto 35 mm standard mounting rail according to DIN EN 50022
<b>Height</b>	97 mm
<b>Width</b>	45 mm
<b>Depth</b>	96 mm
<b>Required spacing</b>	
<ul style="list-style-type: none"> <li>• with side-by-side mounting <ul style="list-style-type: none"> <li>— Backwards</li> <li>— at the side</li> </ul> </li> </ul>	0 mm 0 mm

### Connections/Terminals

<b>Product function</b>	
<ul style="list-style-type: none"> <li>• removable terminal for auxiliary and control circuit</li> </ul>	No
<b>Type of electrical connection</b>	
<ul style="list-style-type: none"> <li>• for main current circuit</li> <li>• for auxiliary and control current circuit</li> </ul>	screw-type terminals screw-type terminals
<b>Arrangement of electrical connectors for main current circuit</b>	front side
<b>Type of connectable conductor cross-sections</b>	
<ul style="list-style-type: none"> <li>• for main contacts <ul style="list-style-type: none"> <li>— solid</li> <li>— stranded</li> <li>— finely stranded with core end processing</li> </ul> </li> <li>• at AWG conductors for main contacts</li> </ul>	2x (1 ... 2.5 mm <sup>2</sup> ), 2x (2.5 ... 6 mm <sup>2</sup> ) 2x (1 ... 2.5 mm <sup>2</sup> ), 2x (2.5 ... 6 mm <sup>2</sup> ) 2x (1 ... 2.5 mm <sup>2</sup> ), 2x (2.5 ... 6 mm <sup>2</sup> ) 2x (14 ... 10)
<b>Type of connectable conductor cross-sections</b>	
<ul style="list-style-type: none"> <li>• for auxiliary contacts <ul style="list-style-type: none"> <li>— solid</li> <li>— finely stranded with core end processing</li> </ul> </li> <li>• at AWG conductors for auxiliary contacts</li> </ul>	2x (0.5 ... 1.5 mm <sup>2</sup> ), 2x (0.75 ... 2.5 mm <sup>2</sup> ) 2x (0.5 ... 1.5 mm <sup>2</sup> ), 2x (0.75 ... 2.5 mm <sup>2</sup> ) 2x (18 ... 14)

### Certificates/approvals

General Product Approval	For use in hazardous locations
--------------------------	--------------------------------



CCC



CSA



UL



ATEX



IECEX

Declaration of Conformity	Test Certificates	Shipping Approval	other
---------------------------	-------------------	-------------------	-------



EG-Konf.

[spezielle Prüfbescheinigung](#)  
[n](#)



ABS



LRS



RMRS

[Bestätigungen](#)

<b>other</b>
--------------

[sonstig](#)

[Umweltbestätigung](#)



VDE

<b>Further information</b>
----------------------------

**Information- and Downloadcenter (Catalogs, Brochures,...)**

<http://www.siemens.com/industrial-controls/catalogs>

**Industry Mall (Online ordering system)**

<https://mall.industry.siemens.com/mall/en/en/Catalog/product?mlfb=3RV1021-1GA15-Z X95>

**Cax online generator**

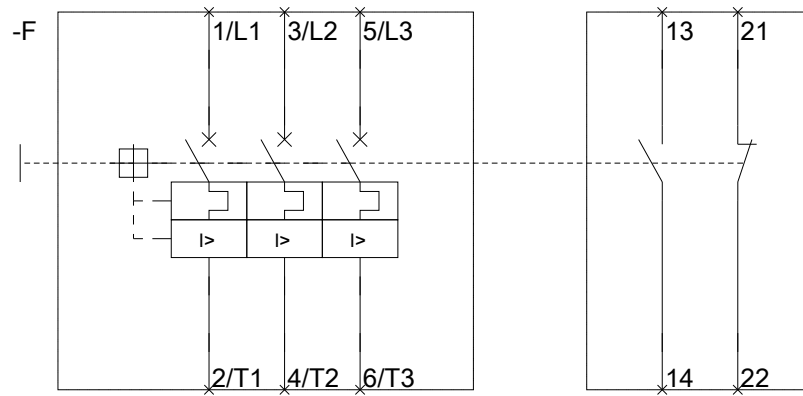
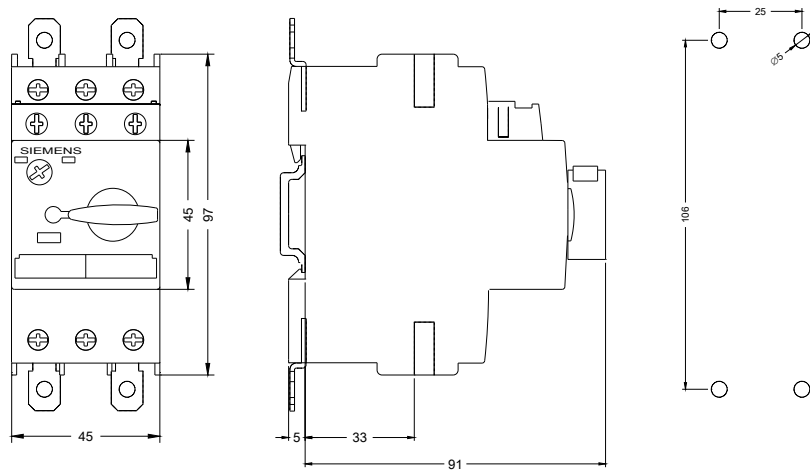
<http://support.automation.siemens.com/WW/CAXorder/default.aspx?lang=en&mlfb=3RV1021-1GA15-Z X95>

**Service&Support (Manuals, Certificates, Characteristics, FAQs,...)**

<https://support.industry.siemens.com/cs/ww/en/ps/3RV1021-1GA15-Z X95>

**Image database (product images, 2D dimension drawings, 3D models, device circuit diagrams, EPLAN macros, ...)**

[http://www.automation.siemens.com/bilddb/cax\\_de.aspx?mlfb=3RV1021-1GA15-Z X95&lang=en](http://www.automation.siemens.com/bilddb/cax_de.aspx?mlfb=3RV1021-1GA15-Z X95&lang=en)



last modified:

09/20/2016