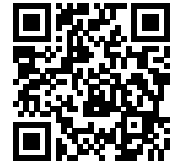


ZS3100-0831 | Plug field assembly, PROFIBUS-DP, IP67, shielded



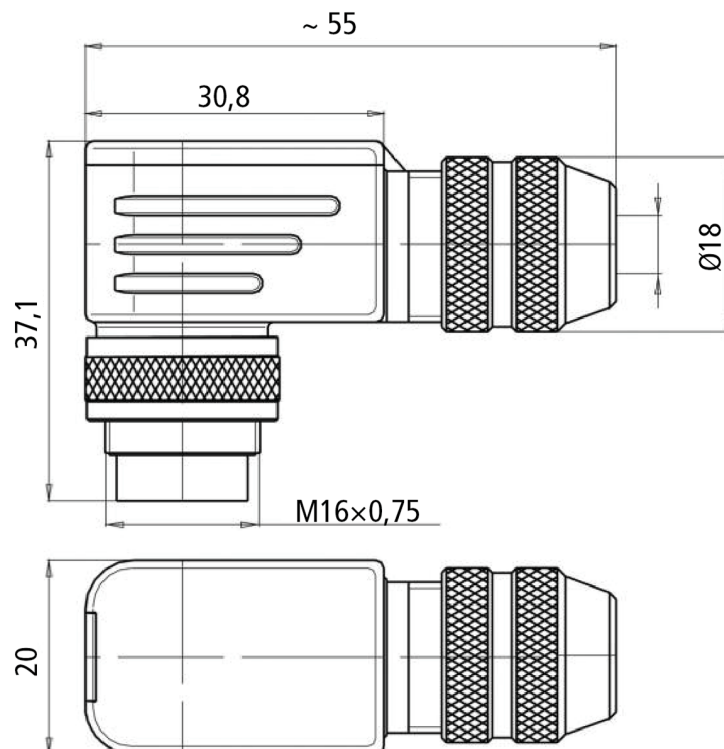
i Product status: Regular delivery

Plug field assembly, Profibus-DP, IP67, M16, angled, male, 6-pin, shielded

Product information

Technical Data

Technical data	ZS3100-0831
Shielding	yes
Installation size	M16
Connector type	plug
Contact type	male
Number of positions (face)	6-pin
Wire termination	solder connection
Max. wire cross-section	AWG20 (0.5 mm ²)
Max. cable outer diameter	6.0 - 8.0 mm
Body color	metal



A1

55.00 mm

A2

37.10 mm

Ordering Information

Ordering information

ZS3100-0831

Plug field assembly, Profibus-DP, IP67, M16, angled, male, 6-pin, shielded