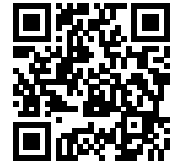


ZS3100-0841 | Socket field assembly, PROFIBUS-DP, IP67, shielded



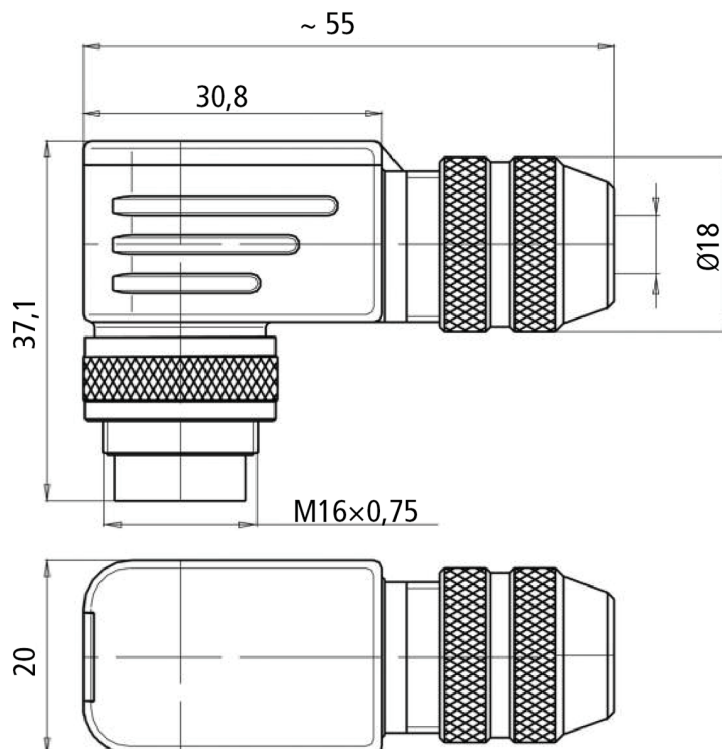
i Product status: Regular delivery

Socket field assembly, Profibus-DP, IP67, M16, angled, female, 6-pin shielded

Product information

Technical Data

Technical data	ZS3100-0841
Shielding	yes
Installation size	M16
Connector type	socket
Contact type	female
Number of positions (face)	6-pin
Wire termination	solder connection
Max. wire cross-section	AWG20 (0.5 mm ²)
Max. cable outer diameter	6.0 - 8.0 mm
Body color	metal



A1

54.00 mm

A2

37.40 mm

Ordering Information

Ordering information

ZS3100-0841

Socket field assembly, Profibus-DP, IP67, M16, angled, female, 6-pin shielded