

Summation current transformer type B, 60 mm, 30 mA 1A



| Model  |                               |
|--|-------------------------------|
| product brand name   | SETRON                        |
| product designation  | summation current transformer |
| design of the product                                      | Type B                        |
| residual current (I <sub>dn</sub> ) / minimum              | 10 mA                         |
| internal diameter / of summation current transformer       | 60 mm                         |
| symmetrical tolerance of supply voltage / at DC            | 12 V                          |
| wire length / maximum                                      | 10 m                          |
| protection class IP / at connection all terminals          | IP20                          |
| apparent power consumption / maximum                       | 2.5 VA                        |
| type of voltage / of the operating voltage / for actuation | AC/DC                         |
| surge voltage resistance / rated value                     | 8 kV                          |
| operating voltage / rated value                            |                               |
| • maximum  | 690 V                         |
| starting current / limited to 2 s / maximum                | 1 000 A                       |
| Main circuit   |                               |
| operating frequency / rated value                          |                               |
| • minimum  | 0 Hz                          |
| • maximum  | 2 000 Hz                      |
| operational current / rated value                          | 160 A                         |
| Control current  |                               |
| control supply voltage                                     |                               |
| • at AC / at 50 Hz / rated value / maximum                 | 690 V                         |
| • at AC / at 60 Hz / rated value / maximum                 | 690 V                         |
| Suitability  |                               |
| suitability for use  | for AC and DC systems         |
| Product function   |                               |
| product function / error memory                            | No                            |
| Connections  |                               |
| type of connectable conductor cross-sections               | 6 x 0.75 mm <sup>2</sup>      |
| type of electrical connection                              | Plug-in terminal              |
| Mechanical Design  |                               |
| height   | 67 mm                         |
| width  | 135 mm                        |
| depth  | 116.4 mm                      |
| net weight   | 600 g                         |
| Environmental conditions                                   |                               |
| influence of the surrounding temperature                   | Max. 95% humidity             |
| ambient temperature / during operation                     |                               |

|  |                 |
|--|-----------------|
| <ul style="list-style-type: none"> <li>• minimum</li> <li>• maximum</li> </ul> | -10 °C<br>55 °C |
| ambient temperature / during storage   |                 |
| <ul style="list-style-type: none"> <li>• minimum</li> <li>• maximum</li> </ul> | -10 °C<br>55 °C |

### Certificates

|   |        |
|---|--------|
| reference code  |        |
| <ul style="list-style-type: none"> <li>• according to EN 61346-2</li> <li>• according to IEC 81346-2</li> </ul> | T<br>T |

|                                 |                                  |              |
|---------------------------------|----------------------------------|--------------|
| <b>General Product Approval</b> | <b>Declaration of Conformity</b> | <b>other</b> |
|---------------------------------|----------------------------------|--------------|

[Confirmation](#)



[Miscellaneous](#)

### Further information

**Information- and Downloadcenter (Catalogs, Brochures,...)**

<http://www.siemens.com/lowvoltage/catalogs>

**Industry Mall (Online ordering system)**

<https://mall.industry.siemens.com/mall/en/en/Catalog/product?mlfb=5SV8702-2KK>

**Service&Support (Manuals, Certificates, Characteristics, FAQs,...)**

<https://support.industry.siemens.com/cs/ww/en/ps/5SV8702-2KK>

**Image database (product images, 2D dimension drawings, 3D models, device circuit diagrams, ...)**

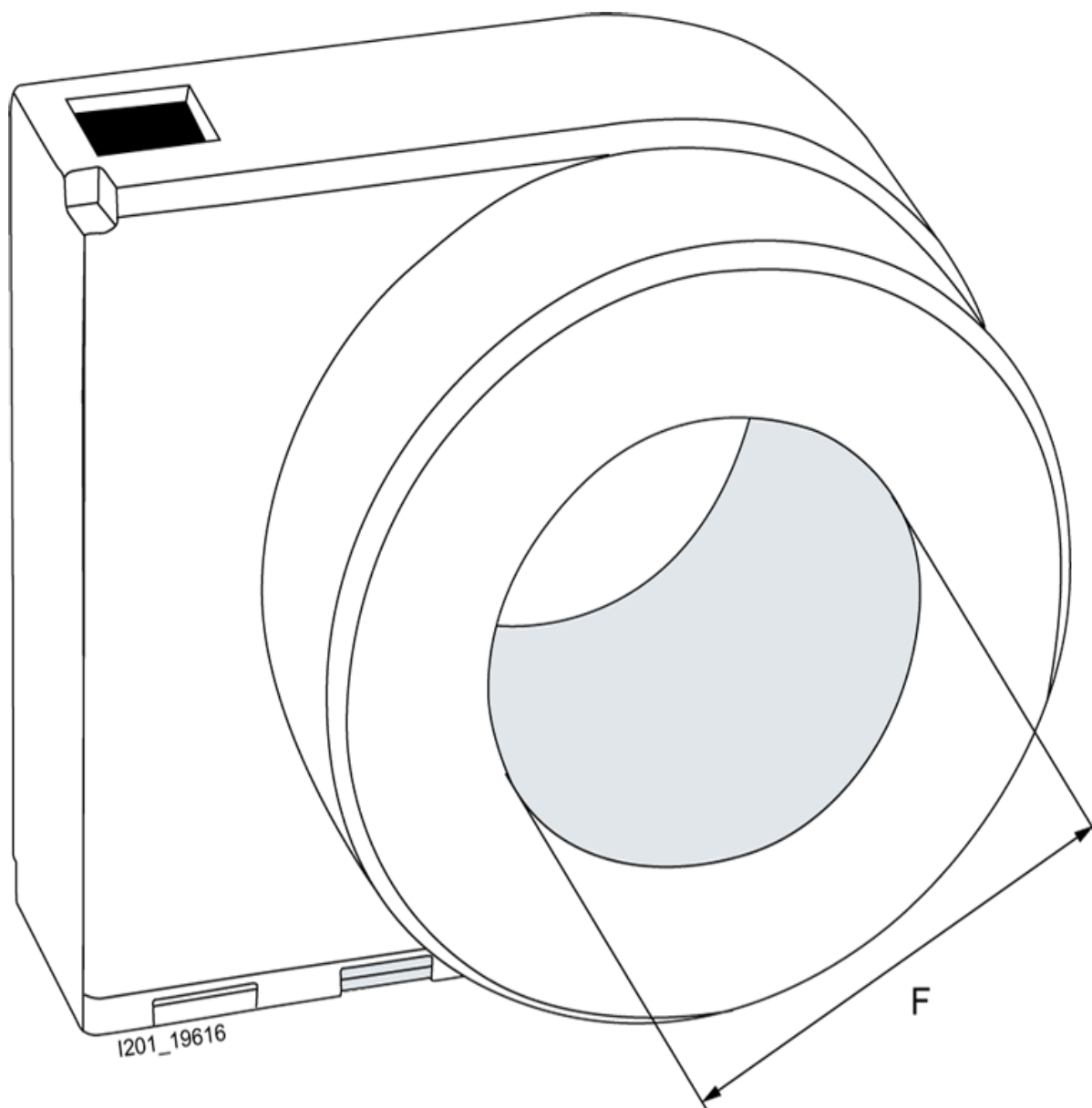
[http://www.automation.siemens.com/bilddb/cax\\_en.aspx?mlfb=5SV8702-2KK](http://www.automation.siemens.com/bilddb/cax_en.aspx?mlfb=5SV8702-2KK)

**CAX-Online-Generator**

<http://www.siemens.com/cax>

**Tender specifications**

<http://www.siemens.com/specifications>



| Type         | Dimensions |
|--------------|------------|
|              | F          |
| 5SV8 701-2KK | 35         |
| 5SV8 701-2KP | 35         |
| 5SV8 702-2KK | 60         |
| 5SV8 702-2KP | 60         |
| 5SV8 703-2KK | 120        |
| 5SV8 704-2KK | 210        |



