

FRONT BUS CONNECTORS 3 PCS. ACCESSORY FOR: 3VA5/6 400/600



Model	
product brand name	SENTRON
product designation	accessories
Product version	bus connectors
Accessories	Bus connector extended
Connections according IEC	
thickness / of the busbar / maximum	12.5 mm
width / of the busbar / maximum	40 mm
Connections according UL	
width / of the busbar / maximum	1.6 in
thickness / of the busbar / minimum	0.08 in
thickness / of the busbar / maximum	0.5 in

Further information

Information- and Downloadcenter (Catalogs, Brochures,...)
<http://www.siemens.com/lowvoltage/catalogs>

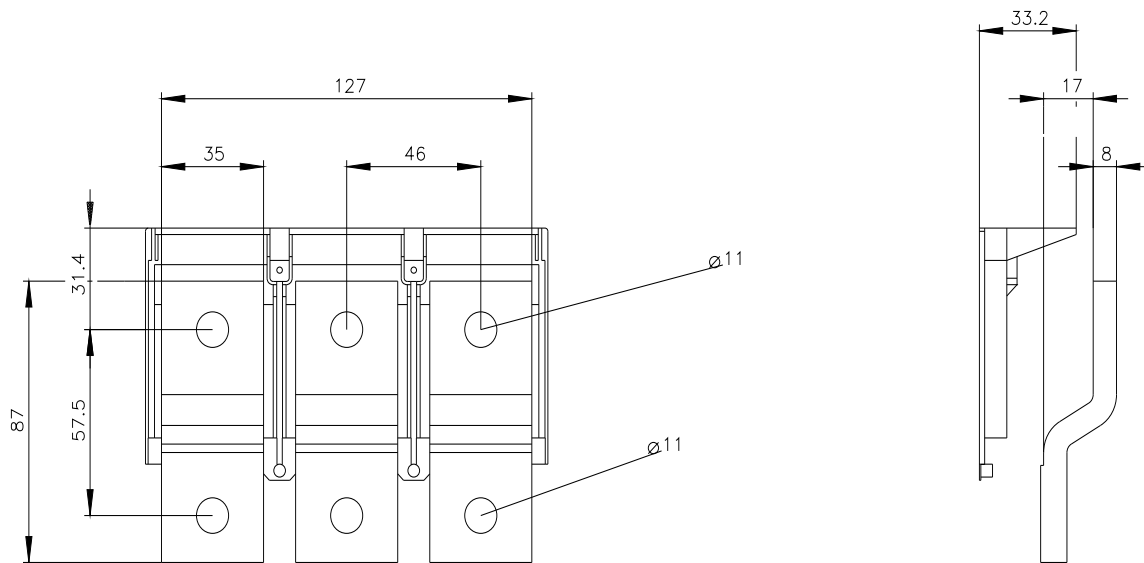
Industry Mall (Online ordering system)
<https://mall.industry.siemens.com/mall/en/en/Catalog/product?mlfb=3VA9473-0QB00>

Service&Support (Manuals, Certificates, Characteristics, FAQs,...)
<https://support.industry.siemens.com/cs/ww/en/ps/3VA9473-0QB00>

Image database (product images, 2D dimension drawings, 3D models, device circuit diagrams, ...)
http://www.automation.siemens.com/bilddb/cax_en.aspx?mlfb=3VA9473-0QB00

CAX-Online-Generator
<http://www.siemens.com/cax>

Tender specifications
<http://www.siemens.com/specifications>



last modified:

8/19/2022 

