



contact-free safety switch RFID rectangular 106 mm x 25 mm individually coded multiple teach-in capability with M12 plug 8-pole. actuator 3SE6310-0BC01 to be ordered separately.

| | |
|---|-------------------------|
| product brand name | SIRIUS |
| product designation | RFID safety switch |
| design of the product | Rectangular sensor unit |
| product type designation | 3SE63 |
| suitability for use safety-related circuits | Yes |

General technical data

| | |
|---|---|
| product function | No |
| <ul style="list-style-type: none"> positive opening cross-circuit/short-circuit recognition | Yes |
| product feature | individually coded, learnable multiple times, without magnet latching |
| type of voltage of the operating voltage | DC |
| protection class IP | IP65, IP67, IP69k |
| shock resistance according to IEC 60068-2-27 | Sinusoidal half-wave 30g / 11 ms |
| vibration resistance according to IEC 60068-2-6 | 10 ... 55 Hz: 1 mm |
| Substance Prohibitance (Date) | 07/01/2006 |
| height of the sensor | 22 mm |
| length of the sensor | 106 mm |
| width of the sensor | 25 mm |
| material of the active sensor area | plastic |
| mechanical installation condition for sensor | flush installation possible |

Ambient conditions

| | |
|--------------------------------------|----------------|
| ambient temperature during operation | -25 ... +70 °C |
|--------------------------------------|----------------|

Control circuit/ Control

| | |
|---------------------------------|--------|
| type of voltage | DC |
| operating voltage rated value | 24 V |
| operational current rated value | 600 mA |

Enclosure

| | |
|---------------------------|---------|
| material of the enclosure | plastic |
| material of cable sheath | PVC |

Actuator

| | |
|---------------------------------|------|
| design of the actuating element | RFID |
|---------------------------------|------|

Display

| | |
|--------------------------|-----|
| evaluation unit required | yes |
|--------------------------|-----|

Contact

| | |
|---|--------------------|
| switching frequency | 1 Hz |
| operating distance | 12 mm |
| assured operating distance OFF | 16 mm |
| assured operating distance ON | 10 mm |
| design of the switching function | positive switching |
| number of switching contacts for signaling function | |

- safety-related

1

Installation/ mounting/ dimensions

fastening method screw fixing

Connections/ Terminals

type of electrical connection M12 plug, 8-pole
wire length maximum 30 m

Supply voltage

supply voltage 26.4 ... 20.4 V

Inputs/ Outputs

output current 0.5 mA
output current at safety-related output maximum 0.3 A
 design of the interface for safety-related communication connector M12
transmission frequency rated value 125 kHz

Safety related data

Safety Integrity Level (SIL) according to IEC 61508 3
 performance level (PL) according to EN ISO 13849-1 e
category according to EN 954-1 4

Certificates/ approvals

| General Product Approval | EMC | Functional Safety/Safety of Machinery | Declaration of Conformity | other |
|---|--|--|---|------------------------------|
|  UL |  RCM | Type Examination Certificate |  EG-Konf. | Confirmation |

Further information

Information- and Downloadcenter (Catalogs, Brochures,...)

<https://www.siemens.com/ic10>

Industry Mall (Online ordering system)

<https://mall.industry.siemens.com/mall/en/en/Catalog/product?mlfb=3SE6315-0BB02-1AP0>

Cax online generator

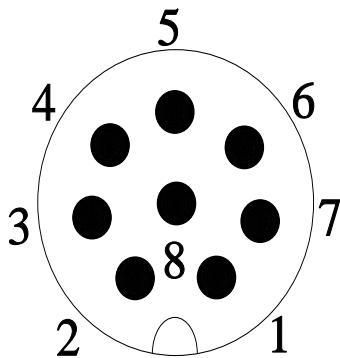
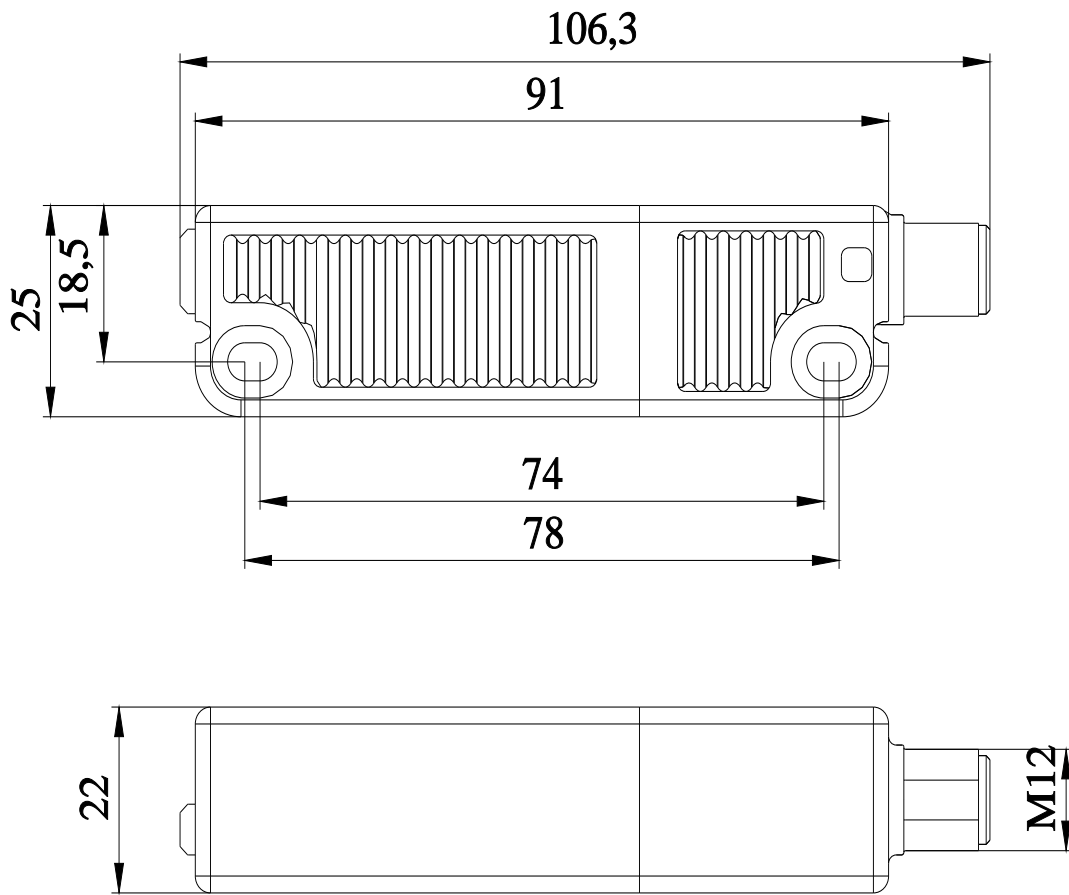
<http://support.automation.siemens.com/WW/CAXorder/default.aspx?lang=en&mlfb=3SE6315-0BB02-1AP0>

Service&Support (Manuals, Certificates, Characteristics, FAQs,...)

<https://support.industry.siemens.com/cs/ww/en/ps/3SE6315-0BB02-1AP0>

Image database (product images, 2D dimension drawings, 3D models, device circuit diagrams, EPLAN macros, ...)

http://www.automation.siemens.com/bilddb/cax_de.aspx?mlfb=3SE6315-0BB02-1AP0&lang=en



| | | | |
|---|-------------|---|-------|
| 1 | WH = White | → | A1 |
| 2 | BN = Brown | → | X1 |
| 3 | GN = Green | → | A2 |
| 4 | YE = Yellow | → | OSSD1 |
| 5 | GY = Grey | → | OUT |
| 6 | PK = Pink | → | X2 |
| 7 | BU = Blue | → | OSSD2 |
| 8 | RD = Red | → | n. c. |

