



Fail-safe direct starter, 3RM1, 500 V, 0 - 0.12 kW, 0.1 - 0.5 A, 24 V DC, spring-type terminals

product brand name	SIRIUS
product category	Motor starter
product designation	Fail-safe direct starter
design of the product	With electronic overload protection and safety-related disconnection
product type designation	3RM1

### General technical data

trip class	CLASS 10A
equipment variant according to IEC 60947-4-2	3
product function	fail-safe direct starter
<ul style="list-style-type: none"> <li>intrinsic device protection</li> </ul>	Yes
<ul style="list-style-type: none"> <li>for power supply reverse polarity protection</li> </ul>	Yes
suitability for operation device connector 3ZY12	Yes
insulation voltage rated value	500 V
overvoltage category	III
surge voltage resistance rated value	6 kV
maximum permissible voltage for safe isolation	
<ul style="list-style-type: none"> <li>between main and auxiliary circuit</li> </ul>	500 V
<ul style="list-style-type: none"> <li>between control and auxiliary circuit</li> </ul>	250 V
shock resistance	6g / 11 ms
vibration resistance	1 ... 6 Hz, 15 mm; 20 m/s <sup>2</sup> , 500 Hz
operating frequency maximum	1 1/s
mechanical service life (operating cycles) typical	15 000 000
reference code according to IEC 81346-2	Q
Substance Prohibitance (Date)	03/01/2017
product function	
<ul style="list-style-type: none"> <li>direct start</li> </ul>	Yes
<ul style="list-style-type: none"> <li>reverse starting</li> </ul>	No
product function short circuit protection	No

### Electromagnetic compatibility

EMC emitted interference according to IEC 60947-1	class A
EMC immunity according to IEC 60947-1	Class A
conducted interference	
<ul style="list-style-type: none"> <li>due to burst according to IEC 61000-4-4</li> </ul>	3 kV / 5 kHz
<ul style="list-style-type: none"> <li>due to conductor-earth surge according to IEC 61000-4-5</li> </ul>	4 kV signal lines 2 kV
<ul style="list-style-type: none"> <li>due to conductor-conductor surge according to IEC 61000-4-5</li> </ul>	2 kV
<ul style="list-style-type: none"> <li>due to high-frequency radiation according to IEC 61000-4-6</li> </ul>	10 V
field-based interference according to IEC 61000-4-3	10 V/m
electrostatic discharge according to IEC 61000-4-2	6 kV contact discharge / 8 kV air discharge
conducted HF interference emissions according to	Class B for the domestic, business and commercial environments

**CISPR11**
**field-bound HF interference emission according to CISPR11**

Class B for the domestic, business and commercial environments

**Safety related data**

<b>safety device type according to IEC 61508-2</b>	Type B
<b>B10d value</b>	2 500 000
Safety Integrity Level (SIL) according to IEC 61508	3
<b>SIL Claim Limit (subsystem) according to EN 62061</b>	SILCL 3
performance level (PL) according to EN ISO 13849-1	e
category according to EN ISO 13849-1	4
<b>stop category according to EN 60204-1</b>	0
<b>Safe failure fraction (SFF)</b>	99 %
<b>average diagnostic coverage level (DCavg)</b>	99 %
<b>diagnostics test interval by internal test function maximum</b>	600 s
<b>function test interval maximum</b>	1 a
<b>failure rate [FIT]</b>	
• at rate of recognizable hazardous failures ( $\lambda_{dd}$ )	1 400 FIT
• at rate of non-recognizable hazardous failures ( $\lambda_{du}$ )	16 FIT
PFHD with high demand rate according to EN 62061	2E-8 1/h
<b>PFDavg with low demand rate according to IEC 61508</b>	0
<b>MTTFd</b>	75 a
<b>hardware fault tolerance according to IEC 61508</b>	1
<b>safe state</b>	Load circuit open
<b>protection class IP on the front according to IEC 60529</b>	IP20
<b>touch protection on the front according to IEC 60529</b>	finger-safe
<b>hardware fault tolerance according to IEC 61508 relating to ATEX</b>	0
<b>PFDavg with low demand rate according to IEC 61508 relating to ATEX</b>	0.0005
<b>PFHD with high demand rate according to EN 62061 relating to ATEX</b>	5E-8 1/h
<b>Safety Integrity Level (SIL) according to IEC 61508 relating to ATEX</b>	SIL2
<b>T1 value for proof test interval or service life according to IEC 61508 relating to ATEX</b>	3 a

**Main circuit**

<b>number of poles for main current circuit</b>	3
<b>design of the switching contact</b>	Hybrid
<b>adjustable current response value current of the current-dependent overload release</b>	0.1 ... 0.5 A
<b>minimum load [%]</b>	20 %; from set rated current
<b>type of the motor protection</b>	solid-state
operating voltage rated value	48 ... 500 V
<b>relative symmetrical tolerance of the operating voltage</b>	10 %
<b>operating frequency 1 rated value</b>	50 Hz
<b>operating frequency 2 rated value</b>	60 Hz
<b>relative symmetrical tolerance of the operating frequency</b>	10 %
<b>operational current</b>	
• at AC at 400 V rated value	0.5 A
• at AC-3 at 400 V rated value	0.5 A
• at AC-53a at 400 V at ambient temperature 40 °C rated value	0.5 A
<b>ampacity when starting maximum</b>	4 A
operating power for 3-phase motors at 400 V at 50 Hz	0 ... 0.12 kW

**Inputs/ Outputs**

<b>input voltage at digital input</b>	
• at DC rated value	24 V
• with signal <0> at DC	0 ... 5 V
• for signal <1> at DC	15 ... 30
<b>input current at digital input</b>	
• for signal <1> at DC	8 mA

<ul style="list-style-type: none"> <li>with signal &lt;0&gt; at DC</li> </ul>	1 mA
number of CO contacts for auxiliary contacts	1
<b>operational current of auxiliary contacts at AC-15 at 230 V maximum</b>	3 A
<b>operational current of auxiliary contacts at DC-13 at 24 V maximum</b>	1 A

#### Control circuit/ Control

<b>type of voltage of the control supply voltage</b>	DC
control supply voltage at DC rated value	19.2 ... 30 V
<b>relative negative tolerance of the control supply voltage at DC</b>	20 %
<b>relative positive tolerance of the control supply voltage at DC</b>	25 %
control supply voltage 1 at DC rated value	24 V
<b>operating range factor control supply voltage rated value at DC</b>	
<ul style="list-style-type: none"> <li>initial value</li> </ul>	0.8
<ul style="list-style-type: none"> <li>full-scale value</li> </ul>	1.25
<b>control current at DC</b>	
<ul style="list-style-type: none"> <li>in standby mode of operation</li> </ul>	13 mA
<ul style="list-style-type: none"> <li>during operation</li> </ul>	57 mA
<b>inrush current peak</b>	
<ul style="list-style-type: none"> <li>at DC at 24 V</li> </ul>	300 mA
<ul style="list-style-type: none"> <li>at DC at 24 V at switching on of motor</li> </ul>	130 mA
<b>duration of inrush current peak</b>	
<ul style="list-style-type: none"> <li>at DC at 24 V</li> </ul>	80 ms
<ul style="list-style-type: none"> <li>at DC at 24 V at switching on of motor</li> </ul>	20 ms
<b>power loss [W] in auxiliary and control circuit</b>	
<ul style="list-style-type: none"> <li><b>in switching state OFF</b></li> <li>— with bypass circuit</li> </ul>	0.35 W
<ul style="list-style-type: none"> <li><b>in switching state ON</b></li> <li>— with bypass circuit</li> </ul>	1.37 W

#### Response times

<b>ON-delay time</b>	65 ... 76 ms
<b>OFF-delay time</b>	30 ... 43 ms

#### Power Electronics

<b>operational current</b>	
<ul style="list-style-type: none"> <li>at 40 °C rated value</li> </ul>	0.5 A
<ul style="list-style-type: none"> <li>at 50 °C rated value</li> </ul>	0.5 A
<ul style="list-style-type: none"> <li>at 55 °C rated value</li> </ul>	0.5 A
<ul style="list-style-type: none"> <li>at 60 °C rated value</li> </ul>	0.5 A

#### Installation/ mounting/ dimensions

<b>mounting position</b>	vertical, horizontal, standing (observe derating)
<b>fastening method</b>	screw and snap-on mounting onto 35 mm DIN rail
<b>height</b>	100 mm
<b>width</b>	23 mm
<b>depth</b>	142 mm
<b>required spacing</b>	
<ul style="list-style-type: none"> <li>with side-by-side mounting</li> <li>— forwards</li> <li>— backwards</li> <li>— upwards</li> <li>— downwards</li> <li>— at the side</li> </ul>	0 mm 0 mm 50 mm 50 mm 0 mm
<ul style="list-style-type: none"> <li>for grounded parts</li> <li>— forwards</li> <li>— backwards</li> <li>— upwards</li> <li>— at the side</li> <li>— downwards</li> </ul>	0 mm 0 mm 50 mm 4 mm 50 mm

#### Ambient conditions

installation altitude at height above sea level maximum	4 000 m; For derating see manual
<b>ambient temperature</b>	
<ul style="list-style-type: none"> <li>during operation</li> </ul>	-25 ... +60 °C

<ul style="list-style-type: none"> <li>during storage</li> <li>during transport</li> </ul>	-40 ... +70 °C
environmental category during operation according to IEC 60721	3K6 (no ice formation, only occasional condensation), 3C3 (no salt mist), 3S2 (sand must not get into the devices), 3M6
relative humidity during operation	10 ... 95 %
air pressure according to SN 31205	900 ... 1 060 hPa

### Communication/ Protocol

<b>protocol is supported</b>	
<ul style="list-style-type: none"> <li>PROFINET IO protocol</li> <li>PROFIsafe protocol</li> </ul>	No
<b>product function bus communication</b>	No
protocol is supported AS-Interface protocol	No

### Connections/ Terminals

<b>type of electrical connection</b>	spring-loaded terminals (push-in) for main circuit, spring-loaded terminals (push-in) for control circuit
<ul style="list-style-type: none"> <li>for main current circuit</li> <li>for auxiliary and control circuit</li> </ul>	spring-loaded terminals (push-in) spring-loaded terminals (push-in)
<b>wire length for motor unshielded maximum</b>	100 m
<b>type of connectable conductor cross-sections</b>	
<ul style="list-style-type: none"> <li>for main contacts <ul style="list-style-type: none"> <li>— solid</li> <li>— finely stranded with core end processing</li> <li>— finely stranded without core end processing</li> </ul> </li> <li>at AWG cables for main contacts</li> </ul>	1x (0.5 ... 4 mm <sup>2</sup> ) 1x (0.5 ... 2.5 mm <sup>2</sup> ) 1x (0.5 ... 4 mm <sup>2</sup> ) 1x (20 ... 12)
<b>connectable conductor cross-section for main contacts</b>	
<ul style="list-style-type: none"> <li>solid or stranded</li> <li>finely stranded with core end processing</li> <li>finely stranded without core end processing</li> </ul>	0.5 ... 4 mm <sup>2</sup> 0.5 ... 2.5 mm <sup>2</sup> 0.5 ... 4 mm <sup>2</sup>
<b>connectable conductor cross-section for auxiliary contacts</b>	
<ul style="list-style-type: none"> <li>solid or stranded</li> <li>finely stranded with core end processing</li> <li>finely stranded without core end processing</li> </ul>	0.5 ... 1.5 mm <sup>2</sup> 0.5 ... 1 mm <sup>2</sup> 0.5 ... 1.5 mm <sup>2</sup>
<b>type of connectable conductor cross-sections</b>	
<ul style="list-style-type: none"> <li>for auxiliary contacts <ul style="list-style-type: none"> <li>— solid</li> <li>— finely stranded with core end processing</li> <li>— finely stranded without core end processing</li> </ul> </li> <li>at AWG cables for auxiliary contacts</li> </ul>	1x (0.5 ... 1.5 mm <sup>2</sup> ), 2x (0.5 ... 1.5 mm <sup>2</sup> ) 1x (0,5 ... 1,0 mm <sup>2</sup> ), 2x (0,5 ... 1,0 mm <sup>2</sup> ) 1x (0.5 ... 1.5 mm <sup>2</sup> ), 2x (0.5 ... 1.5 mm <sup>2</sup> ) 1x (20 ... 16), 2x (20 ... 16)
<b>AWG number as coded connectable conductor cross section</b>	
<ul style="list-style-type: none"> <li>for main contacts</li> <li>for auxiliary contacts</li> </ul>	20 ... 12 20 ... 16

### UL/CSA ratings

operating voltage at AC rated value	480 V
-------------------------------------	-------

### Certificates/ approvals

<b>General Product Approval</b>	EMC
---------------------------------	-----



[Confirmation](#)



For use in hazardous locations	Functional Safety/Safety of Machinery	Declaration of Conformity	Test Certificates	other	Railway
--------------------------------	---------------------------------------	---------------------------	-------------------	-------	---------



[Type Examination Certificate](#)



EG-Konf.

[Type Test Certificates/Test Report](#)

[Confirmation](#)

[Special Test Certificate](#)

## Further information

### Information on the packaging

<https://support.industry.siemens.com/cs/ww/en/view/109813875>

### Information- and Downloadcenter (Catalogs, Brochures,...)

<https://www.siemens.com/ic10>

### Industry Mall (Online ordering system)

<https://mall.industry.siemens.com/mall/en/en/Catalog/product?mlfb=3RM1101-2AA04>

### Cax online generator

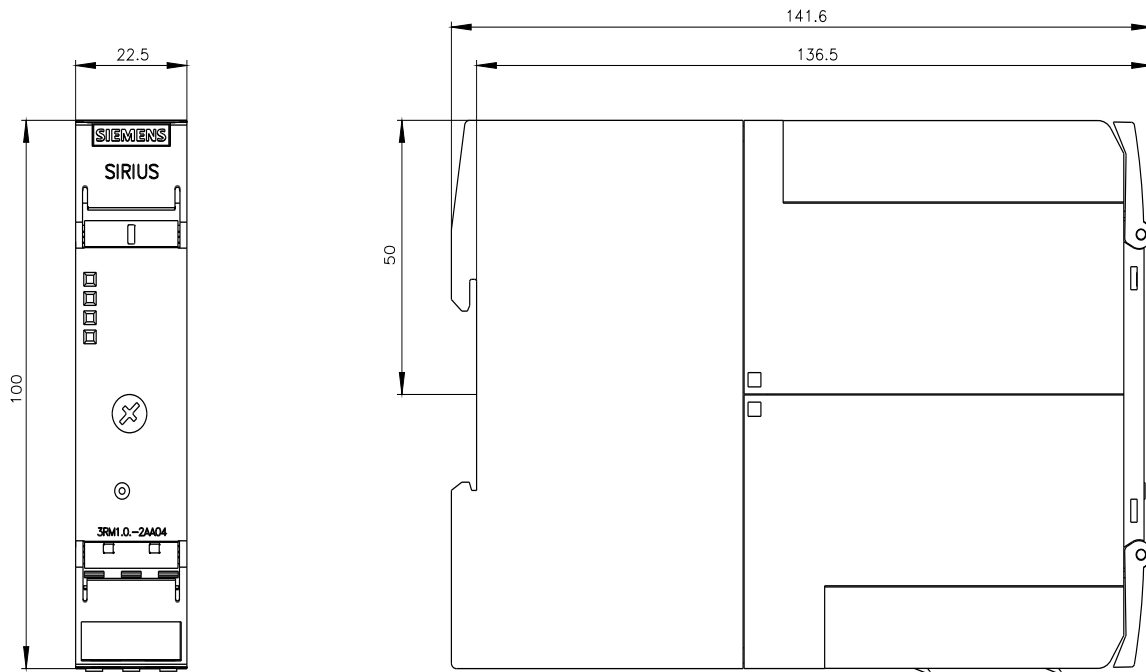
<http://support.automation.siemens.com/WW/CAXorder/default.aspx?lang=en&mlfb=3RM1101-2AA04>

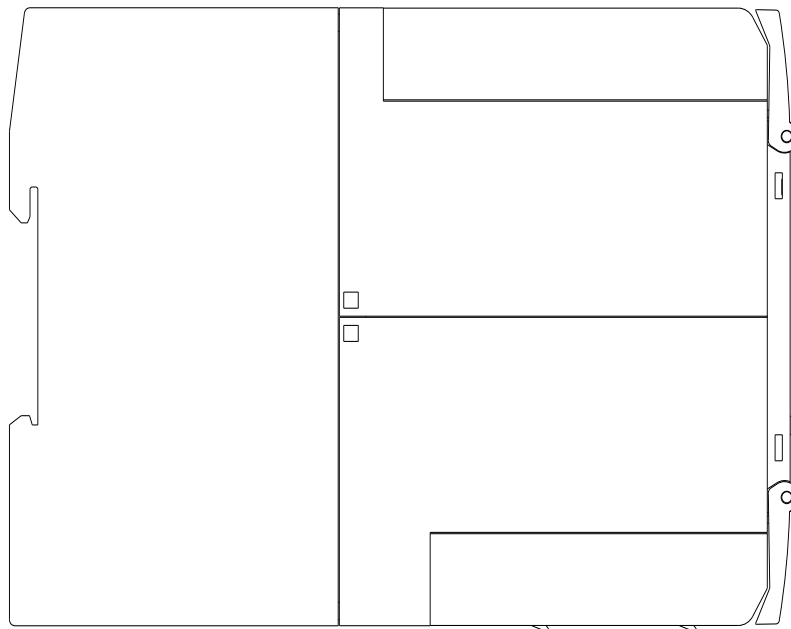
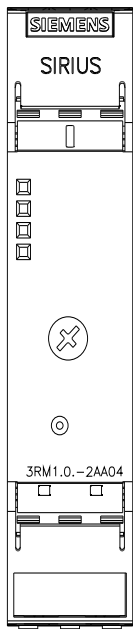
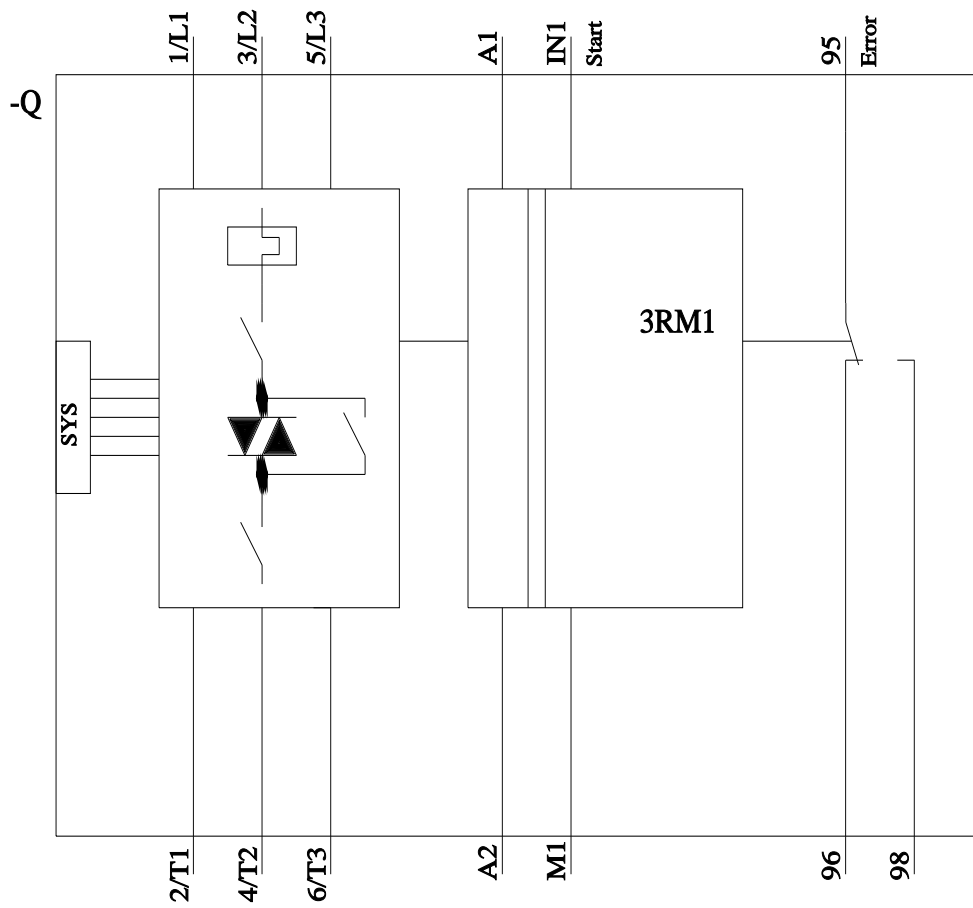
### Service&Support (Manuals, Certificates, Characteristics, FAQs,...)

<https://support.industry.siemens.com/cs/ww/en/ps/3RM1101-2AA04>

### Image database (product images, 2D dimension drawings, 3D models, device circuit diagrams, EPLAN macros, ...)

[http://www.automation.siemens.com/bilddb/cax\\_de.aspx?mlfb=3RM1101-2AA04&lang=en](http://www.automation.siemens.com/bilddb/cax_de.aspx?mlfb=3RM1101-2AA04&lang=en)





last modified:

11/21/2022