

ID key ID group individual, white, programmable via TIA Portal and IO-Link



| | |
|--|--|
| product brand name | SIRIUS ACT |
| product designation | ID keys |
| design of the product | ID group individual |
| product type designation | 3SU1 |
| Actuator | |
| outer diameter of the actuating element | 7.7 mm |
| General technical data | |
| design of the RFID coding | individually coded, multiple teach-in capability |
| Substance Prohibitation (Date) | 10/01/2014 |
| Ambient conditions | |
| ambient temperature | |
| • during operation | 70 ... -25 °C |
| • during storage and transport | -40 ... +80 °C |
| environmental category during operation according to IEC 60721 | 3M6, 3S2, 3B2, 3C3, 3K6 (with relative air humidity of 10 ... 95%) |
| Installation/ mounting/ dimensions | |
| mounting height | 8.5 mm |
| installation depth | 55 mm |
| Accessories | |
| material of accessory | Plastic |
| color of accessory | white |
| Certificates/ approvals | |
| General Product Approval | Declaration of Conformity |



[Confirmation](#)



| | | |
|-------------------|-------------------|-------|
| Test Certificates | Marine / Shipping | other |
|-------------------|-------------------|-------|

[Type Test Certificates/Test Report](#)



[Confirmation](#)

| |
|--------------------|
| Environment |
|--------------------|

[Environmental Con-](#)

Further information

Siemens has decided to exit the Russian market (see here).

<https://press.siemens.com/global/en/pressrelease/siemens-wind-down-russian-business>

Siemens is working on the renewal of the current EAC certificates.

Please contact your local Siemens office on the status of validity of the EAC certification if you intend to import or offer to supply these products to an EAC relevant market (other than the sanctioned EAEU member states Russia or Belarus).

Information on the packaging

<https://support.industry.siemens.com/cs/ww/en/view/109813875>

Information- and Downloadcenter (Catalogs, Brochures,...)

<https://www.siemens.com/ic10>

Industry Mall (Online ordering system)

<https://mall.industry.siemens.com/mall/en/en/Catalog/product?mlfb=3SU1900-0FU60-0AA0>

Cax online generator

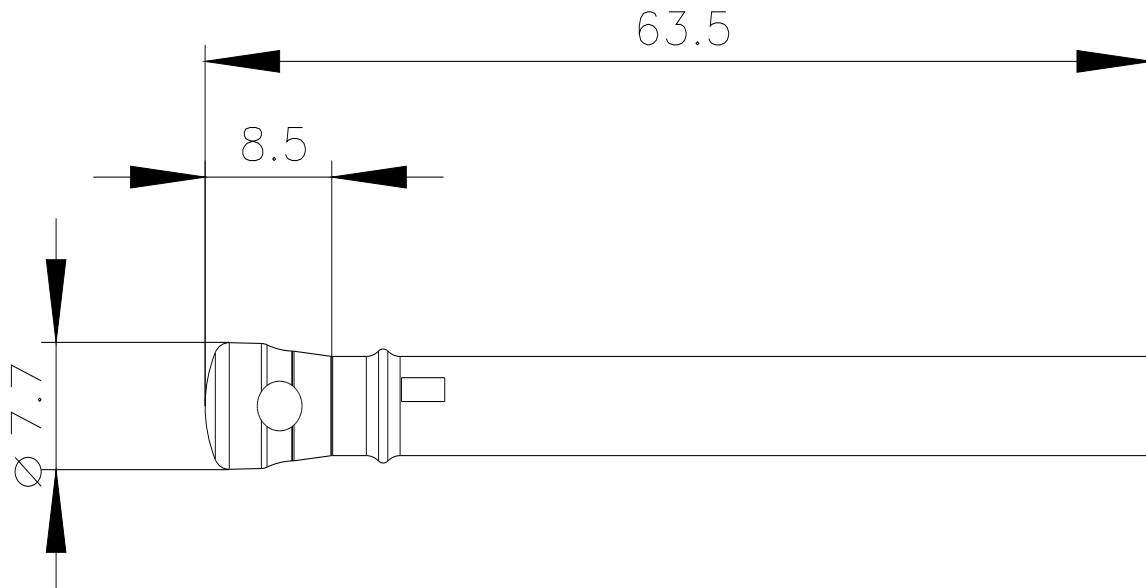
<http://support.automation.siemens.com/WW/CAXorder/default.aspx?lang=en&mlfb=3SU1900-0FU60-0AA0>

Service&Support (Manuals, Certificates, Characteristics, FAQs,...)

<https://support.industry.siemens.com/cs/ww/en/ps/3SU1900-0FU60-0AA0>

Image database (product images, 2D dimension drawings, 3D models, device circuit diagrams, EPLAN macros, ...)

http://www.automation.siemens.com/bilddb/cax_de.aspx?mlfb=3SU1900-0FU60-0AA0&lang=en



last modified:

4/4/2022 