

Aux switch module rot op mech 2 x leading to "ON" Accessory for: 3VA5
250/400/600 3VA6 150/250/400/600



Model	
product brand name	SETRON
product designation	Auxiliary switch module, rotary operator
design of the product	Accessories for 3VA circuit breakers
accessories	Auxiliary switch module
General technical data	
degree of pollution	3
overvoltage category	III
Voltage	
surge voltage resistance	4 kV
operating voltage / at AC / according to CSA and UL	230 V
operating voltage / at DC / according to CSA and UL	24 V
operating voltage / at AC / at 50 Hz / rated value / minimum	230 V
operating voltage / at DC / rated value / minimum	250 V
Current	
thermal current	5 A
operational current	
• at AC-12 / at 12 V	5 A
• at AC-12 / at 24 V	5 A
• at AC-12 / at 48 V	5 A
• at AC-12 / at 125 V	5 A
• at AC-12 / at 220/240 V	5 A
• at DC-13 / at 12 V	0.2 A
• at DC-13 / at 24 V	0.2 A
• at DC-13 / at 48 V	0.2 A
• at DC-13 / at 110 V	0.2 A
• at DC-13 / at 250 V	0.2 A
• at AC-15 / at 12 V	2 A
• at AC-15 / at 24 V	2 A
• at AC-15 / at 48 V	2 A
• at AC-15 / at 125 V	2 A
• at AC-15 / at 220/240 V	2 A
Mechanical Design	
height	41.85 mm
width	88.5 mm
depth	70 mm
ambient temperature / during operation	
• minimum	-25 °C
• maximum	70 °C
ambient temperature / during storage	

- minimum
- maximum

-40 °C

80 °C

Further information

Siemens has decided to exit the Russian market (see here).

<https://press.siemens.com/global/en/pressrelease/siemens-wind-down-russian-business>

Siemens is working on the renewal of the current EAC certificates.

Please contact your local Siemens office on the status of validity of the EAC certification if you intend to import or offer to supply these products to an EAC relevant market (other than the sanctioned EAEU member states Russia or Belarus).

Information on the packaging

<https://support.industry.siemens.com/cs/ww/en/view/109813875>

Information- and Downloadcenter (Catalogs, Brochures,...)

<http://www.siemens.com/lowvoltage/catalogs>

Industry Mall (Online ordering system)

<https://mall.industry.siemens.com/mall/en/en/Catalog/product?mlfb=3VA9477-0GX10>

Service&Support (Manuals, Certificates, Characteristics, FAQs,...)

<https://support.industry.siemens.com/cs/ww/en/ps/3VA9477-0GX10>

Image database (product images, 2D dimension drawings, 3D models, device circuit diagrams, ...)

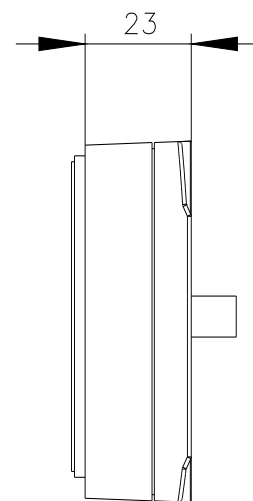
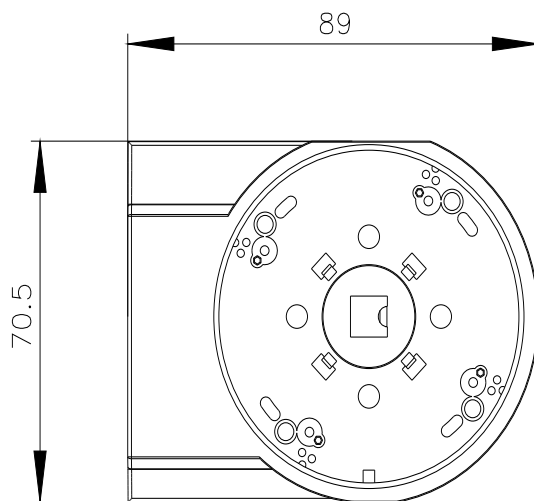
http://www.automation.siemens.com/bilddb/cax_en.aspx?mlfb=3VA9477-0GX10

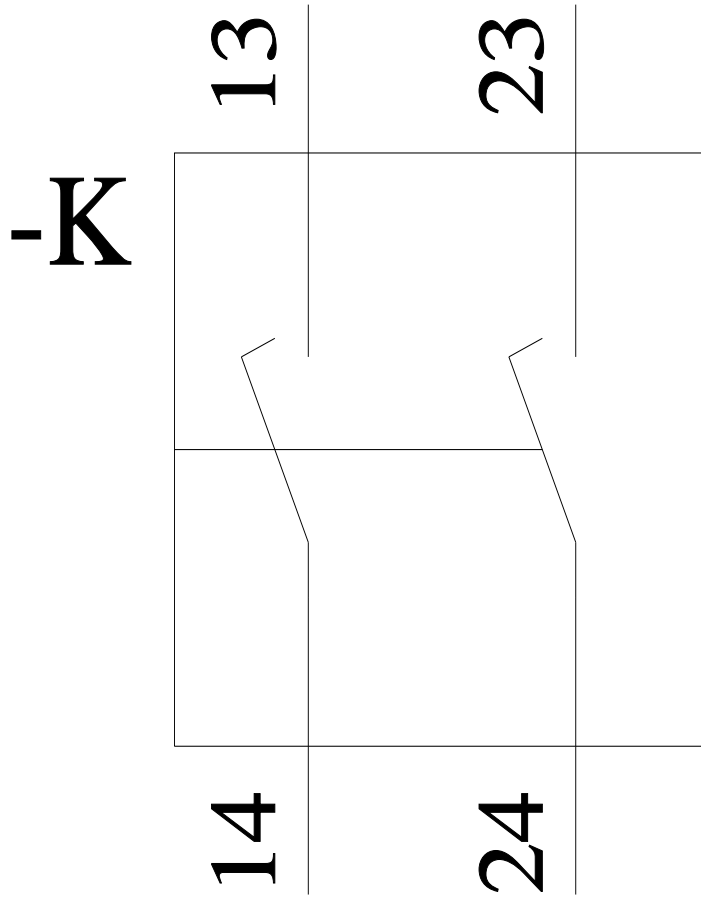
CAX-Online-Generator

<http://www.siemens.com/cax>

Tender specifications

<http://www.siemens.com/specifications>





last modified:

4/20/2023 

