

Draw-out circuit breaker with slide-in module frame 3-pole, Size 1, IEC In=1250 A up to 690 V, 50/60 Hz AC Icu=55 kA at 500 V Rear vertical connection Overcurrent release ETU 76 LSING protection adjustable 0.4-1 in with graphic display U cubicle bus with ground fault protection Opt.: Comm./measuring func./ZSI Motorized/manual operating mechanism with spring charging motor AC 50/60 Hz 110-127 V AC or 110-125 V DC Activation 50/60 Hz 110 V AC, 110 V DC With 1st auxiliary release Shunt release "F", F1 50/60 Hz 110 V AC/110 V DC, 100% on-load factor without 2nd auxiliary release 4NO+4NC

Model	
product brand name	SENTRON
product designation	ACB
design of the product	IEC 60947-2
design of the actuating element	Pushbutton
type of the driving mechanism	Manual/motorized operating mechanism with mechanical and electrical closing
type of the driving mechanism / motor drive	Yes
design of the overcurrent release	ETU76B
General technical data	
number of poles	3
size of the circuit-breaker	1
utilization category	B
circuit-breaker / Design	3WL1
Voltage	
Rated insulation voltage Ui	1 000 V
insulation voltage / rated value	1 000 V
operating voltage	
• at AC / at 50/60 Hz / rated value	690 V
Protection class	
protection class IP	IP20
• protection class IP / on the front	IP20
• protection function of the overcurrent release	LSING
Dissipation	
power loss [W]	
• for rated value of the current / at AC / in hot operating state / per pole	68.3 W
• maximum	205 W
Main circuit	
operating frequency	
• 1 / rated value	50 Hz
• 2 / rated value	60 Hz
Auxiliary circuit	
number of NC contacts / for auxiliary contacts	4
number of NO contacts / for auxiliary contacts	4
Suitability	
suitability for use	Plant / motor protection
Adjustable parameters	
adjustable current response value current / of the current-dependent overload release / initial value	500 A
Product details	
product component	
• trip indicator	Yes
• voltage trigger	Yes
• undervoltage release	No
design of the auxiliary switch	4 NO + 4 NC
product extension / optional / motor drive	No

Product function

product function	
• grounding protection	Yes
• phase failure detection	Yes

Display and operation

display version	With fully-graphical display
-----------------	------------------------------

Short circuit

operating short-circuit current breaking capacity (Ics)	
• at 415 V / rated value	55 kA
• at 500 V / rated value	55 kA
• at 690 V / rated value	42 kA
maximum short-circuit current breaking capacity (Icu)	
• at 415 V / rated value	55 kA
• at 500 V / rated value	55 kA
• at 690 V / rated value	42 kA

Connections

arrangement of electrical connectors / for main current circuit	Main terminal on the rear vertical
type of electrical connection / for main current circuit	busbar connection

Mechanical Design

height	460 mm
width	320 mm
depth	458.5 mm
fastening method	drawer unit

Environmental conditions

ambient temperature / during operation	
• minimum	-40 °C
• maximum	55 °C
ambient temperature / during storage	
• minimum	-40 °C
• maximum	80 °C

General Product Approval **EMC** **Declaration of Conformity**



[Confirmation](#)



Test Certificates **Marine / Shipping**

[Type Test Certificates/Test Report](#)

[Miscellaneous](#)

[Special Test Certificate](#)



Marine / Shipping **other**



[CCS / China Classification Society](#)



[Miscellaneous](#)

[Confirmation](#)

[Miscellaneous](#)

Dangerous Good **Environment**

[Transport Information](#)

[Environmental Confirmations](#)

Further information

Information on the packaging

<https://support.industry.siemens.com/cs/ww/en/view/109813875>

Industry Mall (Online ordering system)

<https://mall.industry.siemens.com/mall/en/en/Catalog/product?mlfb=3WL1112-2NG67-5FA4>

Service&Support (Manuals, Certificates, Characteristics, FAQs,...)

<https://support.industry.siemens.com/cs/ww/en/ps/3WL1112-2NG67-5FA4>

Image database (product images, 2D dimension drawings, 3D models, device circuit diagrams, ...)

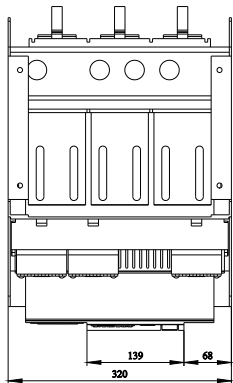
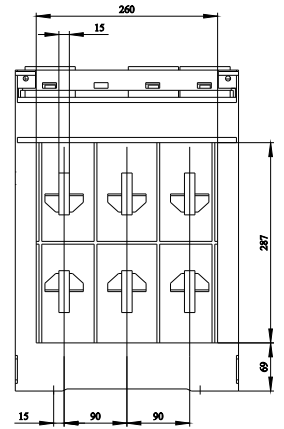
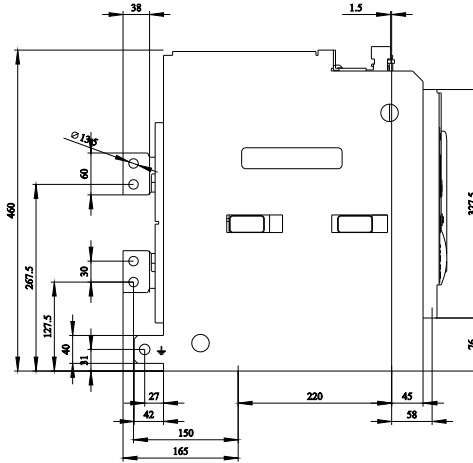
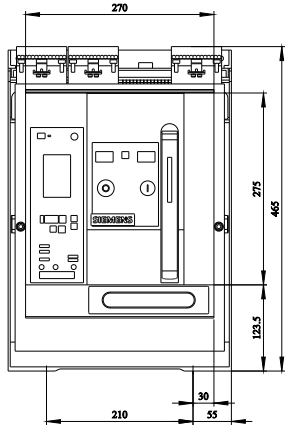
http://www.automation.siemens.com/bilddb/cax_en.aspx?mlfb=3WL1112-2NG67-5FA4

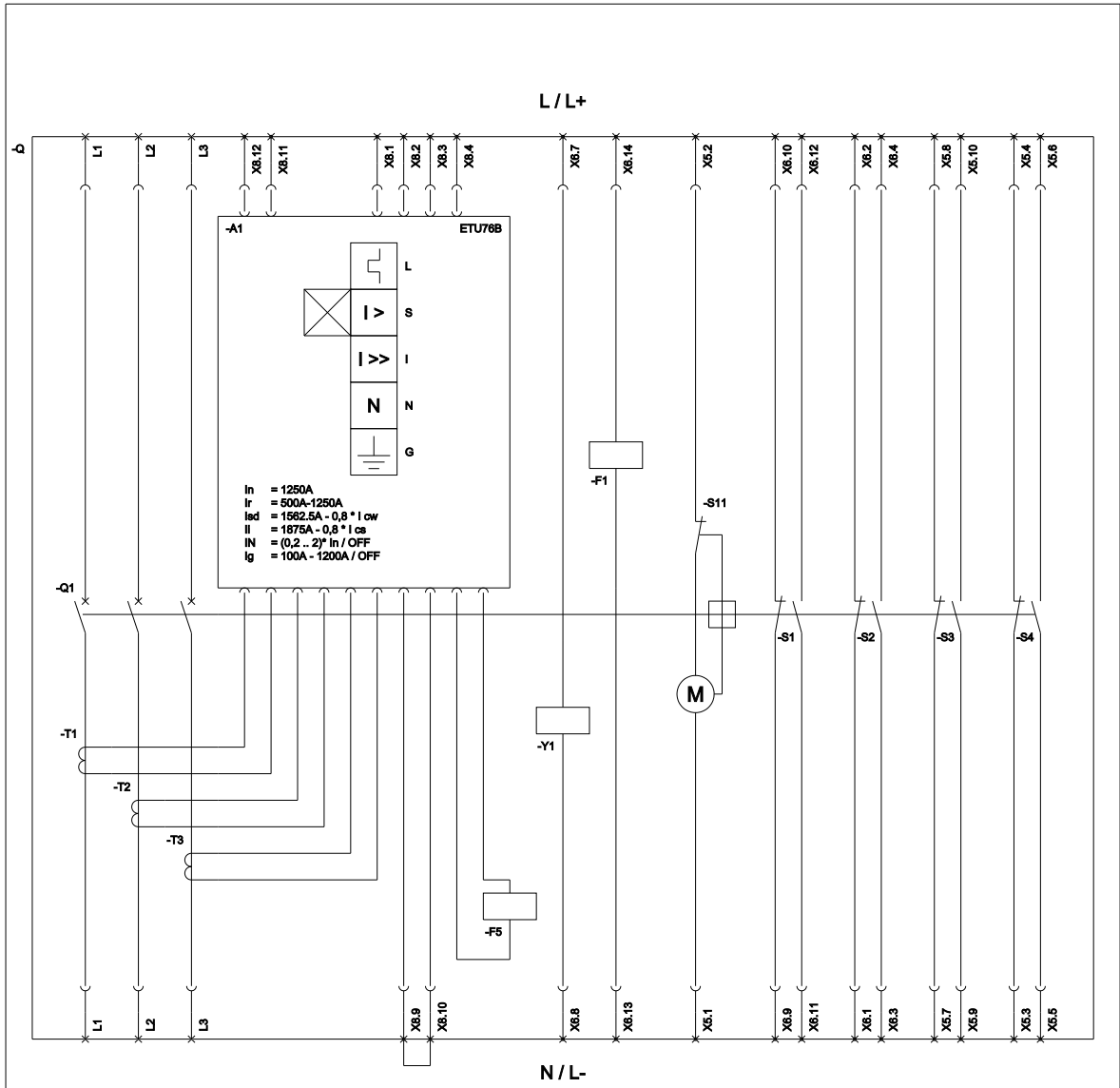
CAX-Online-Generator

<http://www.siemens.com/cax>

Tender specifications

<http://www.siemens.com/specifications>





L (Long Time Delay / Überlastschutz); S (Short Time Delay / Kurzschlussschutz, kurzzeitzögerig); I (Instantaneous / Kurzschlussschutz, unverzögert); N (Neutral Protection / Neutralleiterschutz);
G (Ground Fault Protection / Erdschlussschutz); S11 (Internal motor shutdown switch, if spring is tensioned / Interner Motorschaltelchler, wenn Feder gespannt);
F1 (1st auxiliary release / Erster Hilfsauslöser); F5 (Maglatch for trip unit / Auslösemagnet); S1 - S8 (Auxiliary switch / Hilfschalter); Y1 (Closing coil / Einschaltmagnet);

last modified:

3/10/2022

