




actuating unit with rod variable depth, flanged actuator set, comprising: epoxy-coated steel handle NEMA 1, 12, 3R black = OFF red = ON switching mechanism mounting depth 8 to 16 inches accessory for: 3VA53/54; 3VA63/64

Model	
product brand name	SETRON
accessories	Variable depth flange mounted operator
General technical data	
degree of protection NEMA rating	1, 12, 3R
Certificates	
General Product Approval	EMV



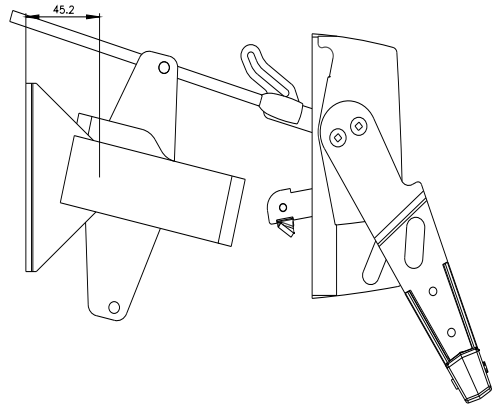
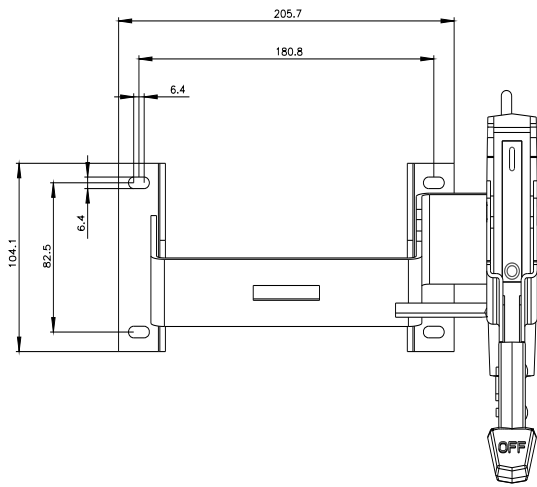
[Miscellaneous](#)



Marine / Shipping	other	Environment			
	Miscellaneous	Confirmation	Miscellaneous	Environmental Confirmations	

Further information

- Information on the packaging
<https://support.industry.siemens.com/cs/ww/en/view/109813875>
- Information- and Downloadcenter (Catalogs, Brochures,...)
<http://www.siemens.com/lowvoltage/catalogs>
- Industry Mall (Online ordering system)
<https://mall.industry.siemens.com/mall/en/en/Catalog/product?mlfb=3VA9478-0DK72>
- Service&Support (Manuals, Certificates, Characteristics, FAQs,...)
<https://support.industry.siemens.com/cs/ww/en/ps/3VA9478-0DK72>
- Image database (product images, 2D dimension drawings, 3D models, device circuit diagrams, ...)
http://www.automation.siemens.com/bilddb/cax_en.aspx?mlfb=3VA9478-0DK72
- CAX-Online-Generator
<http://www.siemens.com/cax>
- Tender specifications
<http://www.siemens.com/specifications>



last modified:

4/20/2023 

