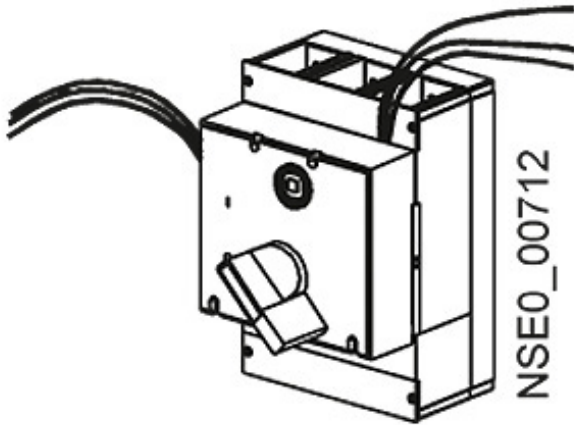


ACCESSORY FOR VL400, KIT F. LEADING AUXILIARY SWITCHES 2 CO CONTACTS, FROM OFF TO ON 1.5 METER CONNECTING CABLE



Model

product brandname SENTRON

Accessories

accessories Accessories for VL400

General Product Approval	EMC	Test Certificates	Shipping Approval
--------------------------	-----	-------------------	-------------------

[sonstig](#)



[spezielle Prüfbescheinigung](#)

[n](#)



Shipping Approval	other
-------------------	-------



PRS



RINA



RMRS

[Umweltbestätigung](#)

[sonstig](#)

[Bestätigungen](#)

Further information

Information- and Downloadcenter (Catalogs, Brochures,...)

<http://www.siemens.com/lowvoltage/catalogs>

Industry Mall (Online ordering system)

<https://eb.automation.siemens.com/mall/en/WW/Catalog/Product/3VL9400-3AT10>

Service&Support (Manuals, Certificates, Characteristics, FAQs,...)

<http://support.automation.siemens.com/WW/view/en/3VL9400-3AT10/all>

Image database (product images, 2D dimension drawings, 3D models, device circuit diagrams, ...)

http://www.automation.siemens.com/bilddb/cax_en.aspx?mfb=3VL9400-3AT10

CAX-Online-Generator

<http://www.siemens.com/cax>

Tender specifications

<http://www.siemens.com/specifications>