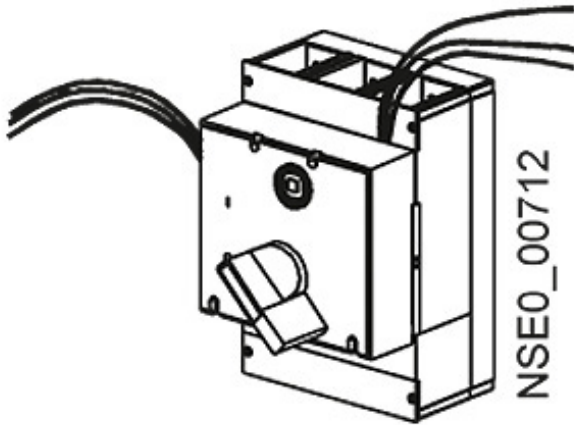


ACCESSORY FOR VL630, VL800, KIT F. LEADING AUXILIARY SWITCHES 1 CO CONTACT, FROM ON TO OFF 1.5 METER CONNECTING CABLE



Model

product brandname SENTRON

Accessories

accessories Accessories for VL630, VL800

General Product Approval	EMC	Test Certificates	Shipping Approval
---------------------------------	------------	--------------------------	--------------------------

[sonstig](#)



UL



C-Tick

[spezielle Prüfbescheinigung](#)

[n](#)



BUREAU VERITAS

Shipping Approval	other
--------------------------	--------------



PRS



RINA



RMRS

[Bestätigungen](#)

[sonstig](#)

[Umweltbestätigung](#)

Further information

Information- and Downloadcenter (Catalogs, Brochures,...)

<http://www.siemens.com/lowvoltage/catalogs>

Industry Mall (Online ordering system)

<https://eb.automation.siemens.com/mall/en/WW/Catalog/Product/3VL9600-3AU10>

Service&Support (Manuals, Certificates, Characteristics, FAQs,...)

<http://support.automation.siemens.com/WW/view/en/3VL9600-3AU10/all>

Image database (product images, 2D dimension drawings, 3D models, device circuit diagrams, ...)

http://www.automation.siemens.com/bilddb/cax_en.aspx?mfb=3VL9600-3AU10

CAX-Online-Generator

<http://www.siemens.com/cax>

Tender specifications

<http://www.siemens.com/specifications>