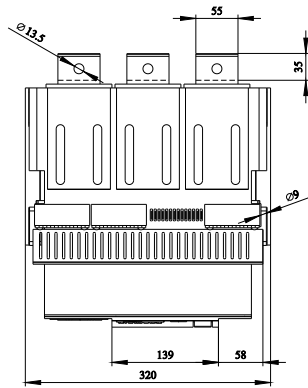
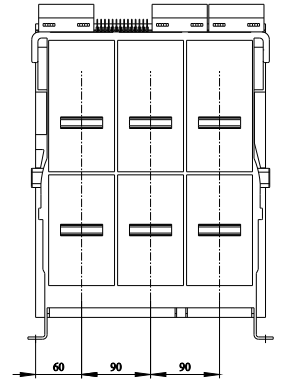
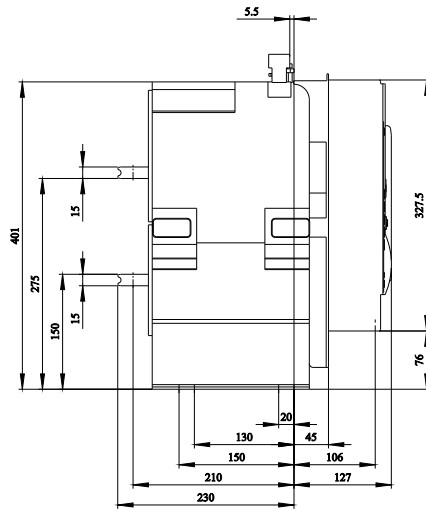
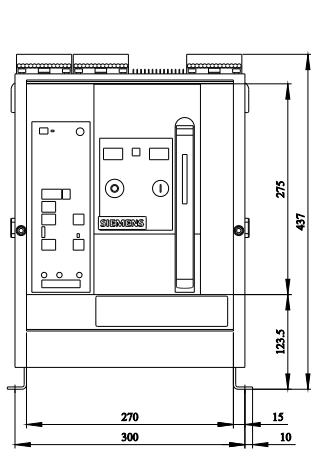
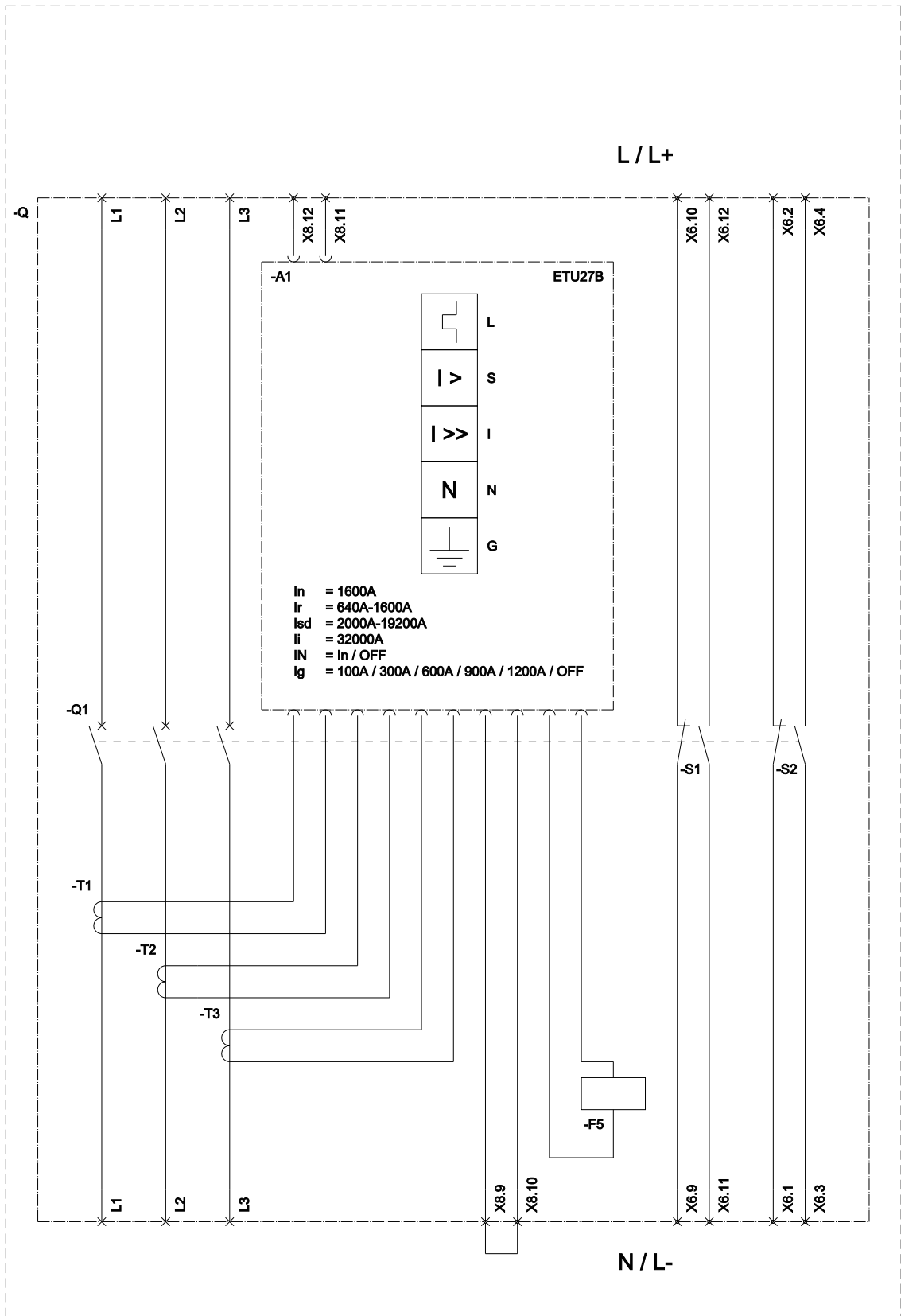


fixed-mounted circuit breaker 3-pole, size I, IEC In=1600A to 690V, AC50/60Hz Icu=55kA at 500V rear connection horizontal Overcurrent release ETU 27 LSING protection adjustable 0.4-1 in Ground fault/N protection integrated With manual operating mechanism with storage with mechanical request without 1st auxiliary release without 2nd auxiliary release 2NO+2NC

| Model | |
|---|--|
| product brand name | SENTRON |
| product designation | ACB |
| design of the product | IEC 60947-2 |
| design of the actuating element | Pushbutton |
| type of the driving mechanism | Manual operating mechanism with mechanical closing |
| type of the driving mechanism / motor drive | No |
| design of the overcurrent release | ETU27B |
| General technical data | |
| number of poles | 3 |
| size of the circuit-breaker | 1 |
| utilization category | B |
| circuit-breaker / Design | 3WL1 |
| Voltage | |
| Rated insulation voltage U_i | 1 000 V |
| insulation voltage / rated value | 1 000 V |
| operating voltage | |
| • at AC / at 50/60 Hz / rated value | 690 V |
| Protection class | |
| protection class IP | IP20 |
| | |
| • protection class IP / on the front | IP20 |
| • protection function of the overcurrent release | LSING |
| Dissipation | |
| power loss [W] | |
| • for rated value of the current / at AC / in hot operating state / per pole | 50 W |
| • maximum | 150 W |
| Main circuit | |
| operating frequency | |
| • 1 / rated value | 50 Hz |
| • 2 / rated value | 60 Hz |
| Auxiliary circuit | |
| number of NC contacts / for auxiliary contacts | 2 |
| number of NO contacts / for auxiliary contacts | 2 |
| Suitability | |
| suitability for use | Plant / motor protection |
| Adjustable parameters | |
| adjustable current response value current / of the current-dependent overload release / initial value | 640 A |
| Product details | |
| product component | |
| • trip indicator | Yes |
| • voltage trigger | No |
| • undervoltage release | No |
| design of the auxiliary switch | 2 NO + 2 NC |
| product extension / optional / motor drive | Yes |
| Product function | |
| product function | |

| | |
|--|--------------------------------------|
| • grounding protection | Yes |
| • phase failure detection | Yes |
| Display and operation | |
| display version | without display |
| Short circuit | |
| operating short-circuit current breaking capacity (Ics) | |
| • at 415 V / rated value | 55 kA |
| • at 500 V / rated value | 55 kA |
| • at 690 V / rated value | 42 kA |
| maximum short-circuit current breaking capacity (Icu) | |
| • at 415 V / rated value | 55 kA |
| • at 500 V / rated value | 55 kA |
| • at 690 V / rated value | 42 kA |
| Connections | |
| arrangement of electrical connectors / for main current circuit | Main connection rear side horizontal |
| type of electrical connection / for main current circuit | busbar connection |
| Mechanical Design | |
| height | 439.5 mm |
| width | 320 mm |
| depth | 337 mm |
| fastening method | fixed mounting |
| Environmental conditions | |
| ambient temperature / during operation | |
| • minimum | -20 °C |
| • maximum | 70 °C |
| ambient temperature / during storage | |
| • minimum | -40 °C |
| • maximum | 70 °C |
| Further information | |
| Information on the packaging https://support.industry.siemens.com/cs/ww/en/view/109813875 Industry Mall (Online ordering system) https://mall.industry.siemens.com/mall/en/en/Catalog/product?mlfb=3WL1116-2DG32-1AA2 Service&Support (Manuals, Certificates, Characteristics, FAQs,...) https://support.industry.siemens.com/cs/ww/en/ps/3WL1116-2DG32-1AA2 Image database (product images, 2D dimension drawings, 3D models, device circuit diagrams, ...) http://www.automation.siemens.com/bilddb/cax_en.aspx?mlfb=3WL1116-2DG32-1AA2 CAX-Online-Generator http://www.siemens.com/cax Tender specifications http://www.siemens.com/specifications | |





L (Long Time Delay / Überlastschutz); S (Short Time Delay / Kurzschlusschutz, kurzzeitverzögert);
 I (Instantaneous / Kurzschlusschutz, unverzögert); N (Neutral Protection / Neutralleiterschutz);
 G (Ground Fault Protection / Erdschlusschutz); F5 (Maglatch for trip unit / Auslösemagnet); S1 - S8 (Auxiliary switch / Hilfsschalter);

last modified:

3/13/2020 