

ACCESSORY FOR VT160 LATERAL ROT. OP. MECHANISM W/O PLUG W/SHAFT END W/O SELECTOR SWITCH ADDIT.SHAFT, MASKING FRAME AND SELECTOR SWITCH REQUIRED LEFT

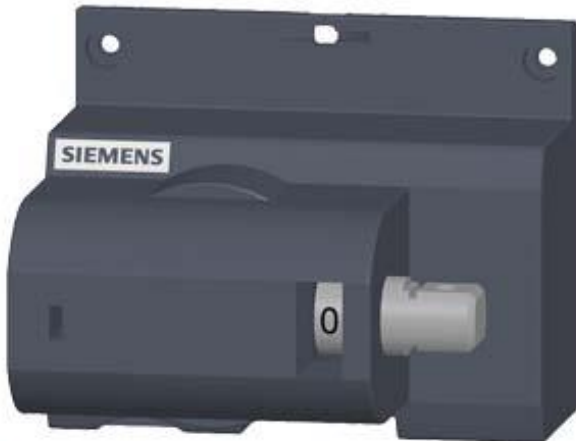


Figure similar

Model

product brandname	SETRON
Design of the product	Rotary operating mechanism

Accessories

accessories	Accessories for VT160
-------------	-----------------------

General Product Approval	Declaration of Conformity	Test Certificates	other
--------------------------	---------------------------	-------------------	-------



EG-Konf.

[spezielle Prüfbescheinigung](#)
n

[Typprüfbescheinigung/Werkszeugnis](#)

[Umweltbestätigung](#)

[sonstig](#)

Further information

Information- and Downloadcenter (Catalogs, Brochures,...)
<http://www.siemens.com/lowvoltage/catalogs>

Industry Mall (Online ordering system)

<https://eb.automation.siemens.com/mall/en/WW/Catalog/Product/3VT9100-3HC10>

Service&Support (Manuals, Certificates, Characteristics, FAQs,...)

<http://support.automation.siemens.com/WW/view/en/3VT9100-3HC10/all>

Image database (product images, 2D dimension drawings, 3D models, device circuit diagrams, ...)

http://www.automation.siemens.com/bilddb/cax_en.aspx?mlfb=3VT9100-3HC10

CAX-Online-Generator

<http://www.siemens.com/cax>

Tender specifications

<http://www.siemens.com/specifications>

