



contactor AC-1, 140 A, 690 V / 40 °C, 3-pole, 20-33 V AC/DC, 50/60 Hz, with integrated varistor, auxiliary contacts: 1 NO + 1 NC, main circuit: without box terminal, control and auxiliary circuit: screw terminal, size: S3

General technical data	
size of contactor	S3
Substance Prohibition (Date)	06/12/2019
SVHC substance name	Lead - 7439-92-1 Lead monoxide (lead oxide) - 1317-36-8
Weight	1.815 kg
Main circuit	
operating voltage	
• at AC-3e rated value maximum	1 000 V
operational current	
• at AC-3	
— at 400 V rated value	95 A
— at 500 V rated value	95 A
— at 690 V rated value	78 A
— at 1000 V rated value	30 A
• at AC-3e	
— at 400 V rated value	95 A
— at 500 V rated value	95 A
— at 690 V rated value	78 A
— at 1000 V rated value	30 A
operational current	
• at 1 current path at DC-1	
— at 60 V rated value	80 A
• with 2 current paths in series at DC-1	
— at 60 V rated value	130 A
• with 3 current paths in series at DC-1	
— at 60 V rated value	130 A
operating power	
• at AC-3	
— at 230 V rated value	22 kW
— at 400 V rated value	45 kW
— at 500 V rated value	55 kW
— at 690 V rated value	75 kW
— at 1000 V rated value	37 kW
• at AC-3e	
— at 230 V rated value	22 kW
— at 400 V rated value	45 kW
— at 500 V rated value	55 kW
— at 690 V rated value	75 kW
— at 1000 V rated value	37 kW

operating frequency	
<ul style="list-style-type: none"> at AC-3 maximum at AC-3e maximum 	850 1/h 850 1/h
Control circuit/ Control	
inrush current peak	6.5 A
duration of inrush current peak	50 µs
locked-rotor current mean value	3.2 A
locked-rotor current peak	6.5 A
duration of locked-rotor current	150 ms
holding current mean value	75 mA
control version of the switch operating mechanism	Standard A1 - A2

Short-circuit protection	
design of the miniature circuit breaker for short-circuit protection of the auxiliary circuit up to 230 V	C characteristic: 10 A; 0.4 kA

Safety related data	
suitability for use safety-related switching OFF	applies only to contactor operating mechanism
Electrical Safety	
protection class IP on the front according to IEC 60529	IP00; IP20 with box terminal/cover
touch protection on the front according to IEC 60529	finger-safe, for vertical contact from the front with box terminal/cover

Approvals Certificates

General Product Approval					
			Confirmation		KC

General Product Approval	EMV	Test Certificates	Marine / Shipping		
		Type Test Certificates/Test Report	Special Test Certificate		

Marine / Shipping				other	Railway
				Confirmation	Special Test Certificate

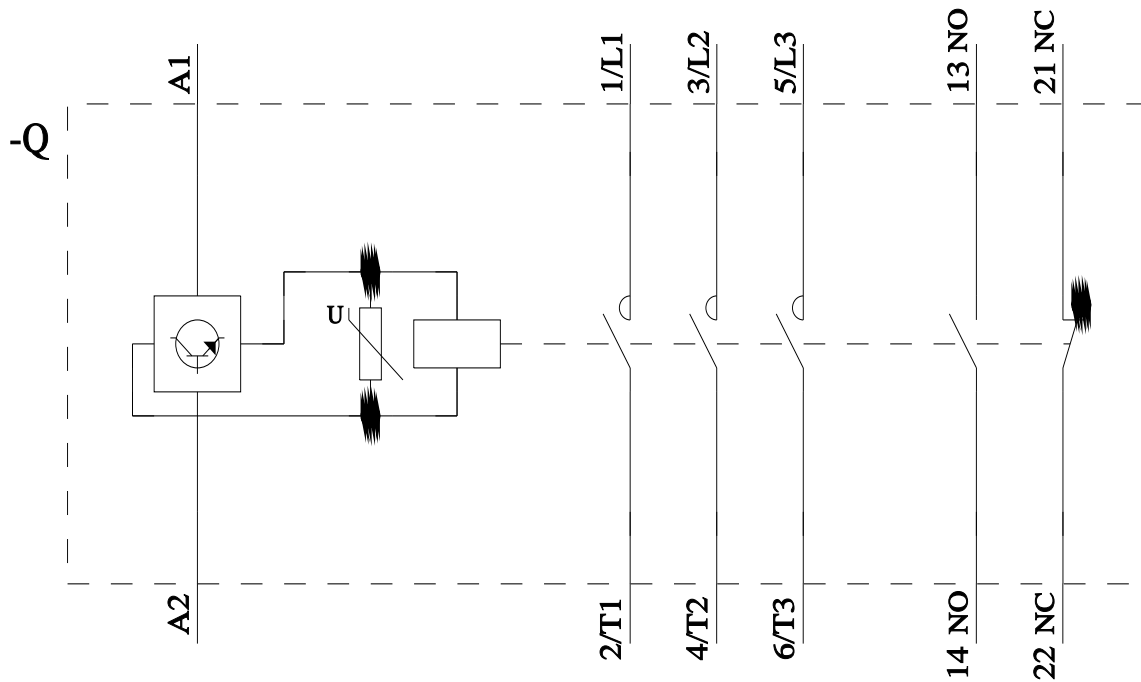
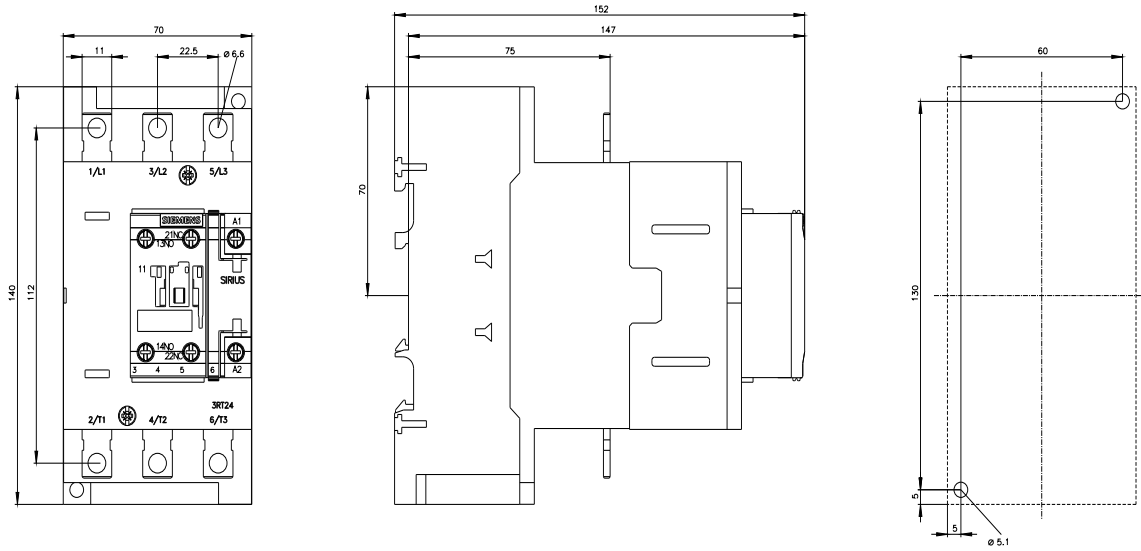
Dangerous goods	Environment
Transport Information	Environmental Confirmations

Further information

Information on the packaging
<https://support.industry.siemens.com/cs/ww/en/view/109813875>
 Information- and Downloadcenter (Catalogs, Brochures,...)
<https://www.siemens.com/ic10>
 Industry Mall (Online ordering system)
<https://mall.industry.siemens.com/mall/en/en/Catalog/product?mlfb=3RT2446-6NB30>
 Cax online generator
<http://support.automation.siemens.com/WWW/CAXorder/default.aspx?lang=en&mlfb=3RT2446-6NB30>
 Service&Support (Manuals, Certificates, Characteristics, FAQs,...)
<https://support.industry.siemens.com/cs/ww/en/ps/3RT2446-6NB30>
 Image database (product images, 2D dimension drawings, 3D models, device circuit diagrams, EPLAN macros, ...)
http://www.automation.siemens.com/bilddb/cax_de.aspx?mlfb=3RT2446-6NB30&lang=en
 Characteristic: Tripping characteristics, I_t, Let-through current
<https://support.industry.siemens.com/cs/ww/en/ps/3RT2446-6NB30/char>

Further characteristics (e.g. electrical endurance, switching frequency)

<http://www.automation.siemens.com/bilddb/index.aspx?view=Search&mlfb=3RT2446-6NB30&objecttype=14&gridview=view1>



last modified:

1/24/2025 