



accessories for position switch device plug (5-pole), M12, for M20 x 1.5 for 125 V, 4 A on Pin 5 a gray line no yellow/green line for PE as for 3SY3128

General technical data	
operational current at 40 °C rated value	4 A
operating voltage rated value	60 V
number of poles	5
insulation resistance	100 MΩ
ambient temperature during operation	-40 ... +85 °C
connector coding of the M12 circular connector	A - Standard
type of electrical connection	connector M12
color coding of the core	Pin 1 = BN, pin 2 = WH, pin 3 = BU, pin 4 = BK, pin 5 = GY
overvoltage category	2
degree of pollution	3
protection class IP	IP67
material	
• of the contact	CuZn
• of contact coating	Au
• of contact main body	PA

Certificates/ approvals		
General Product Approval	other	Environment



EG-Konf.



[Confirmation](#)



[Confirmation](#)

[Environmental Confirmations](#)

Further information

Information on the packaging

<https://support.industry.siemens.com/cs/ww/en/view/109813875>

Information- and Downloadcenter (Catalogs, Brochures,...)

<https://www.siemens.com/ic10>

Industry Mall (Online ordering system)

<https://mall.industry.siemens.com/mall/en/en/Catalog/product?mlfb=3SX5100-1SS05>

Cax online generator

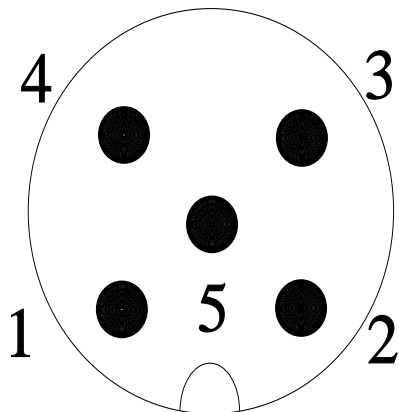
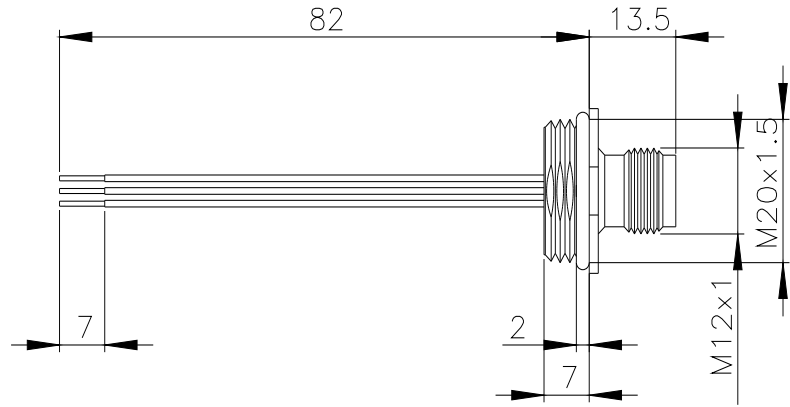
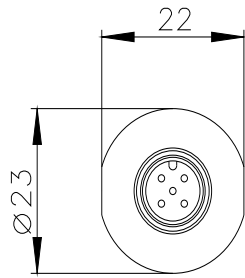
<http://support.automation.siemens.com/WW/CAXorder/default.aspx?lang=en&mlfb=3SX5100-1SS05>

Service&Support (Manuals, Certificates, Characteristics, FAQs,...)

<https://support.industry.siemens.com/cs/ww/en/ps/3SX5100-1SS05>

Image database (product images, 2D dimension drawings, 3D models, device circuit diagrams, EPLAN macros, ...)

http://www.automation.siemens.com/bilddb/cax_de.aspx?mlfb=3SX5100-1SS05&lang=en



1	BN = Brown
2	WH = White
3	BU = Blue
4	BK = Black
5	GR = Grey

