



SIRIUS position switch Plastic enclosure according to EN 50041, 50 mm Device connection 2x (M20 x 1.5) 1 NO/1 NC quick action contacts with spring rod 142.5 mm long Red LED, 24 V, visible all-round M12 connector 4-pole without pipe clamp customized

product brand name	SIRIUS
product designation	Mechanical position switches
product type designation	3SE5
manufacturer's article number	
• of the supplied actuator head for position switches	3SE5000-0AR01
suitability for use safety switch	No
General technical data	
product function positive opening	No
insulation voltage rated value	250 V
degree of pollution	class 3
surge voltage resistance rated value	1 kV
shock resistance	
• according to IEC 60068-2-27	30g / 11 ms
vibration resistance	
• according to IEC 60068-2-6	0.35 mm/5g
mechanical service life (operating cycles) typical	10 000 000
thermal current	4 A
material of the enclosure of the switch head	plastic
reference code according to IEC 81346-2	B
continuous current of the C characteristic MCB	1 A; for a short-circuit current smaller than 400 A
continuous current of the quick DIAZED fuse link	4 A; for a short-circuit current smaller than 400 A
continuous current of the DIAZED fuse link gG	4 A
active principle	mechanical
repeat accuracy	0.05 mm
Substance Prohibitance (Date)	07/01/2006
SVHC substance name	Imidazolidine-2-thione (2-imidazoline-2-thiol) - 96-45-7
Weight	0.188 kg
minimum actuating torque in directions of actuation	0.25 N·m
length of the sensor	195.5 mm
width of the sensor	50 mm
Ambient conditions	
ambient temperature	
• during operation	-25 ... +60 °C
• during storage	-40 ... +90 °C
explosion protection category for dust	none
Main circuit	
design of the switching contact	mechanical
operating frequency rated value	50 ... 60 Hz
number of NC contacts for auxiliary contacts	1
number of NO contacts for auxiliary contacts	1

operational current at DC-13	
• at 24 V rated value	3 A
Enclosure	
design of the housing	block, wide
material of the enclosure	plastic
coating of the enclosure	Other types
design of the housing according to standard	No
material of cable sheath	PVC
Drive Head	
design of the actuating element	Spring rod, compl. Length = 142.5 mm (spring 50 mm + plastic plunger 50 mm)
standard-compliant actuator head	EN 50047
circuit principle	snap-action contacts
number of switching contacts safety-related	0
cable entry type	cable with M12 connector
design of plug-in connection	cable with M12 connector, 4-pole: pin 1= terminal 21, pin 2= LED/+ , pin 3= LED/- , pin 4= 22
Installation/ mounting/ dimensions	
mounting position	any
fastening method	screw fixing
Connections/ Terminals	
type of electrical connection	screw terminal
Supply voltage	
type of voltage of the supply voltage of the optional LED display	DC
supply voltage of LED	
•	24 V
design of the interface for safety-related communication	without
Communication/ Protocol	
design of the interface	without
Approvals Certificates	
General Product Approval	



[Confirmation](#)



Functional Safety	Test Certificates	other	Environment
--------------------------	--------------------------	--------------	--------------------



[Type Test Certificates/Test Report](#)

[Confirmation](#)

[Environmental Confirmations](#)

Further information

Information on the packaging

<https://support.industry.siemens.com/cs/ww/en/view/109813875>

Information- and Downloadcenter (Catalogs, Brochures,...)

<https://www.siemens.com/ic10>

Industry Mall (Online ordering system)

<https://mall.industry.siemens.com/mall/en/en/Catalog/product?mlfb=3SE5242-0HR01-1AK6>

Cax online generator

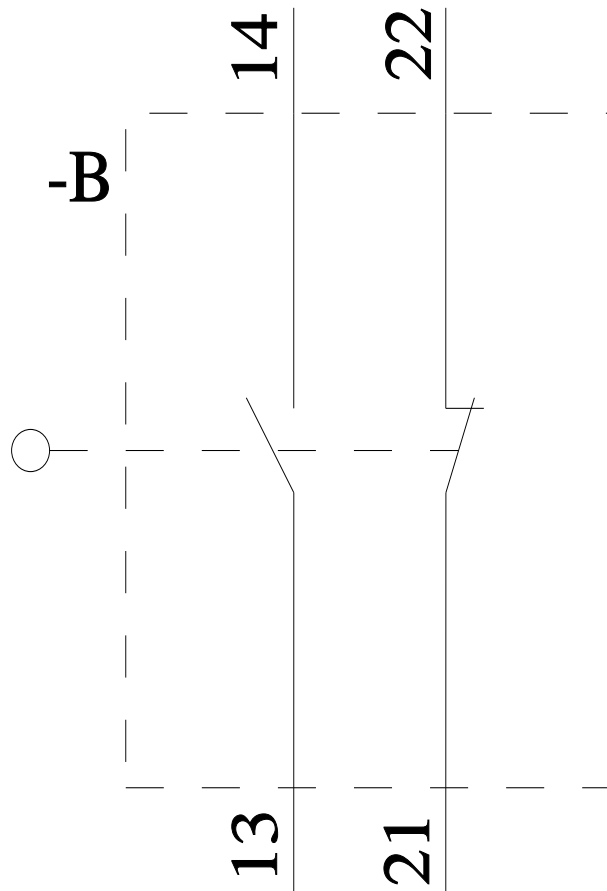
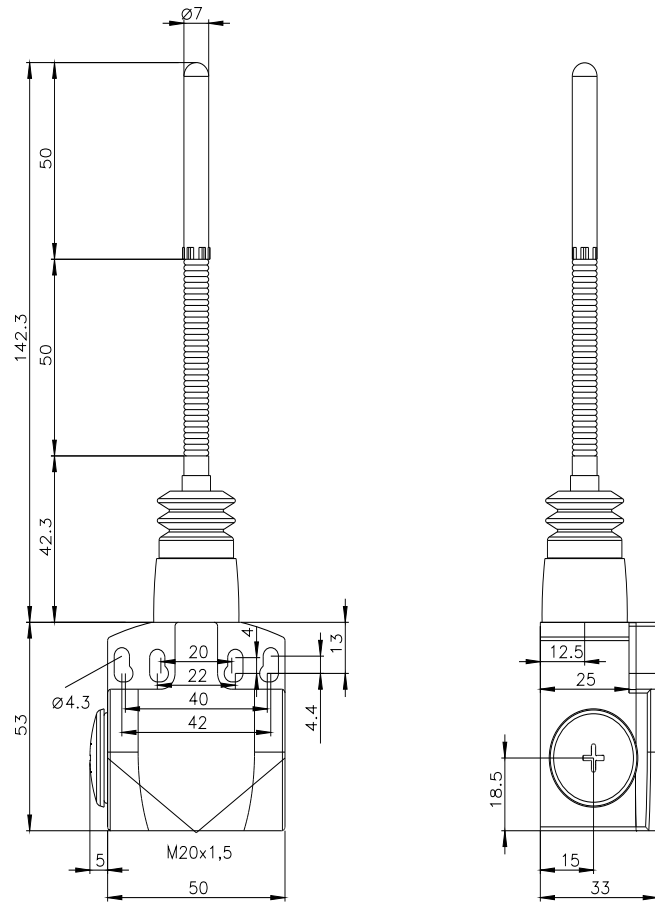
<http://support.automation.siemens.com/WW/CAXorder/default.aspx?lang=en&mlfb=3SE5242-0HR01-1AK6>

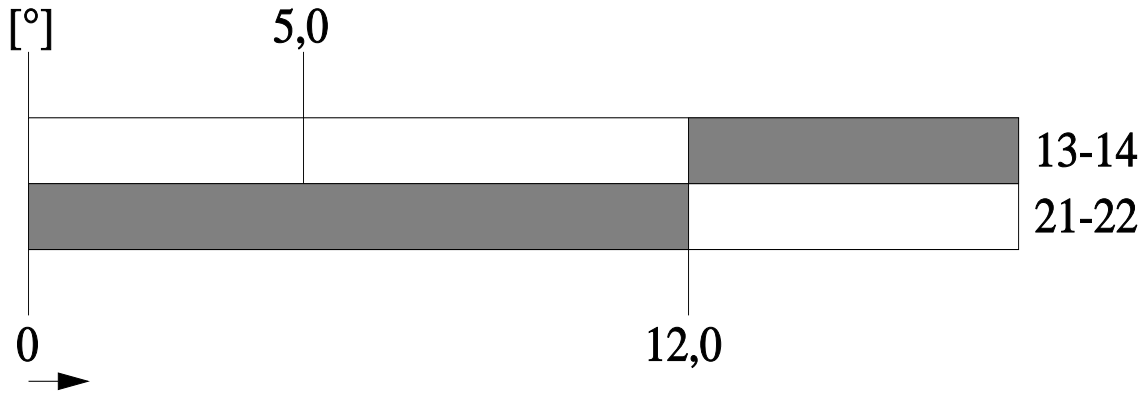
Service&Support (Manuals, Certificates, Characteristics, FAQs,...)

<https://support.industry.siemens.com/cs/ww/en/ps/3SE5242-0HR01-1AK6>

Image database (product images, 2D dimension drawings, 3D models, device circuit diagrams, EPLAN macros, ...)

http://www.automation.siemens.com/bilddb/cax_de.aspx?mlfb=3SE5242-0HR01-1AK6&lang=en





last modified:

4/8/2024