



SIRIUS position switch Plastic enclosure according to EN 50041, 50 mm Device connection 2x (M20 x 1.5) 1 NO/1 NC quick action contacts with spring rod 76 mm long Red LED, 24 V, visible all-round M12 connector 4-pole with two pipe clamps 25-28 mm as clamp fastening

product brand name	SIRIUS
product designation	Mechanical position switches
product type designation	3SE5
manufacturer's article number	
• of the supplied actuator head for position switches	<a href="#">3SE5000-0AR03</a>
suitability for use safety switch	No
<b>General technical data</b>	
product function positive opening	No
insulation voltage rated value	250 V
degree of pollution	class 3
surge voltage resistance rated value	1 kV
shock resistance	
• according to IEC 60068-2-27	30g / 11 ms
vibration resistance	
• according to IEC 60068-2-6	0.35 mm/5g
mechanical service life (operating cycles) typical	10 000 000
thermal current	4 A
material of the enclosure of the switch head	plastic
reference code according to IEC 81346-2	B
continuous current of the C characteristic MCB	1 A; for a short-circuit current smaller than 400 A
continuous current of the quick DIAZED fuse link	4 A; for a short-circuit current smaller than 400 A
continuous current of the DIAZED fuse link gG	4 A
active principle	mechanical
repeat accuracy	0.05 mm
Substance Prohibitance (Date)	07/01/2006
SVHC substance name	Imidazolidine-2-thione (2-imidazoline-2-thiol) - 96-45-7
Weight	0.311 kg
minimum actuating torque in directions of actuation	0.25 N·m
length of the sensor	130 mm
width of the sensor	50 mm
<b>Ambient conditions</b>	
ambient temperature	
• during operation	-25 ... +60 °C
• during storage	-40 ... +90 °C
explosion protection category for dust	none
<b>Main circuit</b>	
design of the switching contact	mechanical
operating frequency rated value	50 ... 60 Hz
number of NC contacts for auxiliary contacts	1
number of NO contacts for auxiliary contacts	1

<b>operational current at DC-13</b>	
• at 24 V rated value	3 A
<b>Enclosure</b>	
<b>design of the housing</b>	block, wide
<b>material of the enclosure</b>	plastic
<b>coating of the enclosure</b>	Other types
<b>design of the housing according to standard</b>	No
<b>material of cable sheath</b>	PVC
<b>Drive Head</b>	
<b>design of the actuating element</b>	Spring rod, length = 77 mm (spring 23.5 mm + plastic plunger 10 mm)
<b>standard-compliant actuator head</b>	EN 50047
<b>circuit principle</b>	snap-action contacts
number of switching contacts safety-related	0
<b>cable entry type</b>	cable with M12 connector
<b>design of plug-in connection</b>	cable with M12 connector, 4-pole: pin 1= terminal 21, pin 2= LED/+ , pin 3= LED/- , pin 4= 22
<b>Installation/ mounting/ dimensions</b>	
<b>mounting position</b>	any
<b>fastening method</b>	screw fixing
<b>Connections/ Terminals</b>	
<b>type of electrical connection</b>	screw terminal
<b>Supply voltage</b>	
type of voltage of the supply voltage of the optional LED display	DC
<b>supply voltage of LED</b>	
•	24 V
design of the interface for safety-related communication	without
<b>Communication/ Protocol</b>	
<b>design of the interface</b>	without
<b>Approvals Certificates</b>	
<b>General Product Approval</b>	



[Confirmation](#)



EG-Konf.



<b>Functional Safety</b>	<b>Test Certificates</b>	<b>other</b>	<b>Environment</b>
--------------------------	--------------------------	--------------	--------------------



[Type Test Certificates/Test Report](#)

[Confirmation](#)

[Environmental Confirmations](#)

**Further information**

**Information on the packaging**

<https://support.industry.siemens.com/cs/ww/en/view/109813875>

**Information- and Downloadcenter (Catalogs, Brochures,...)**

<https://www.siemens.com/ic10>

**Industry Mall (Online ordering system)**

<https://mall.industry.siemens.com/mall/en/en/Catalog/product?mlfb=3SE5242-0HR03-1AK4>

**Cax online generator**

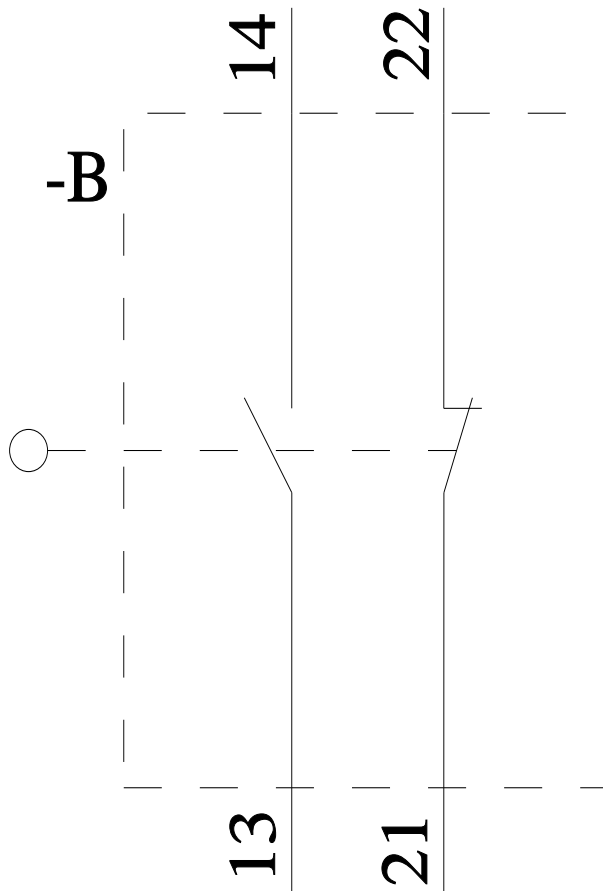
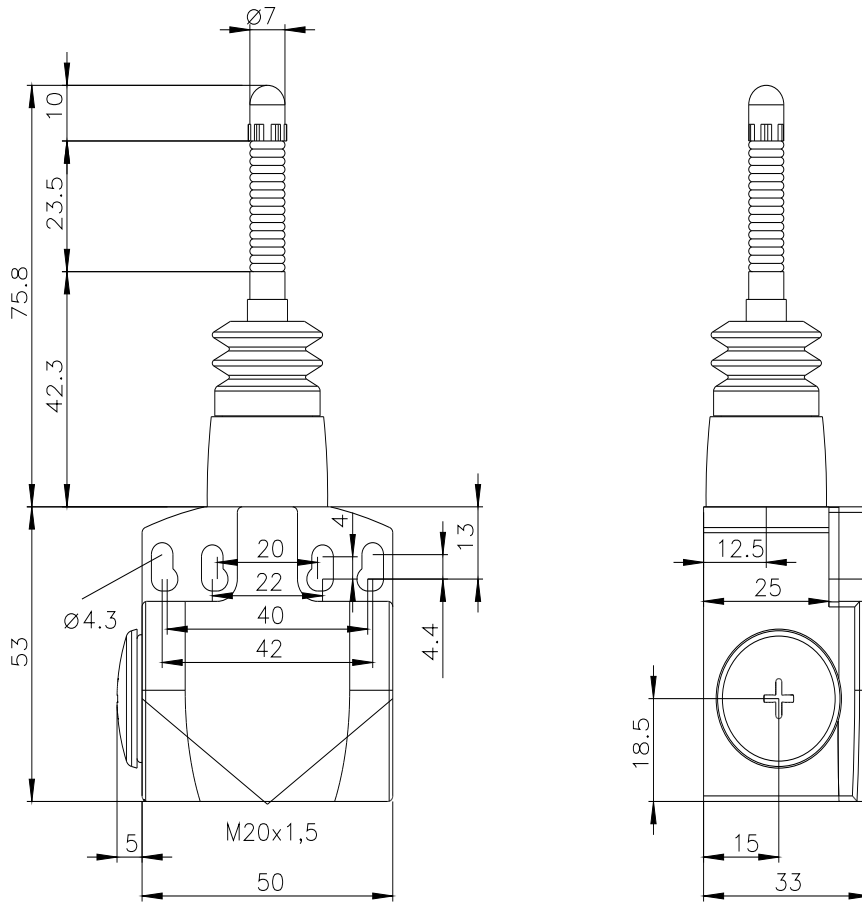
<http://support.automation.siemens.com/WW/CAXorder/default.aspx?lang=en&mlfb=3SE5242-0HR03-1AK4>

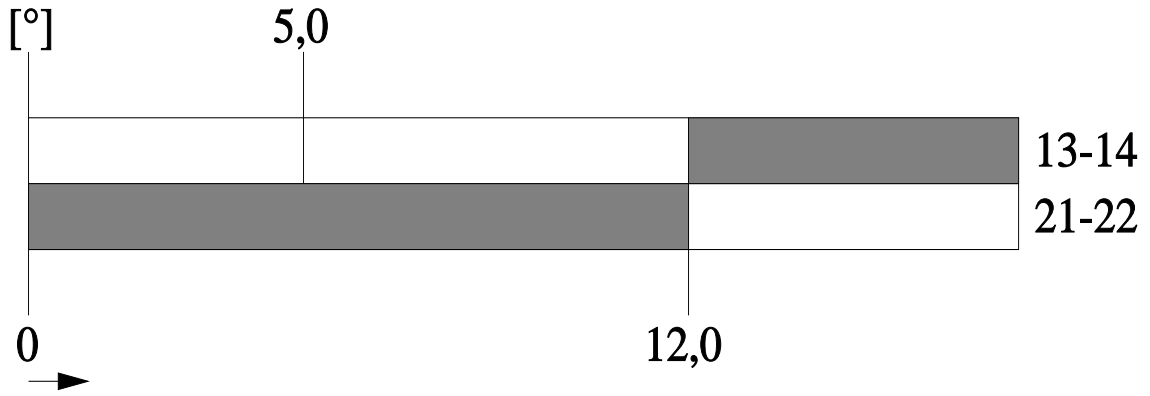
**Service&Support (Manuals, Certificates, Characteristics, FAQs,...)**

<https://support.industry.siemens.com/cs/ww/en/ps/3SE5242-0HR03-1AK4>

**Image database (product images, 2D dimension drawings, 3D models, device circuit diagrams, EPLAN macros, ...)**

[http://www.automation.siemens.com/bilddb/cax\\_de.aspx?mlfb=3SE5242-0HR03-1AK4&lang=en](http://www.automation.siemens.com/bilddb/cax_de.aspx?mlfb=3SE5242-0HR03-1AK4&lang=en)





last modified:

4/8/2024 