



Contactor size 2, 2-pole for railway applications DC-3 and 5, 7.5 A at 750 V
 Auxiliary contacts 21 (2 NO + 1 NC) Operating range 0.7 to 1.25 x US connected to varistor DC magnet system 24 V DC Upright mounting position

product designation	Contactor
product type designation	3TC
General technical data	
size of contactor	2
product extension	
• function module for communication	No
• auxiliary switch	No
insulation voltage rated value	800 V
maximum permissible voltage for protective separation between coil and main contacts according to EN 60947-1	300 V
shock resistance at rectangular impulse	
• at DC	7,5g / 5 ms, 3,4g / 10 ms
mechanical service life (operating cycles)	
• of contactor typical	10 000 000
• of the contactor with added auxiliary switch block typical	10 000 000
reference code according to IEC 81346-2	Q
Substance Prohibition (Date)	02/01/2012
SVHC substance name	Lead - 7439-92-1 6,6'-di-tert-butyl-2,2'-methylenedi-p-cresol - 119-47-1
Weight	1.31 kg
Ambient conditions	
ambient temperature	
• during operation	-40 ... +70 °C
• during storage	-50 ... +80 °C
relative humidity minimum	10 %
relative humidity at 55 °C according to IEC 60068-2-30 maximum	95 %
Main circuit	
number of poles	2
number of poles for main current circuit	2
number of NO contacts for main contacts	2
number of NC contacts for main contacts	0
type of voltage	DC
operational current	
• at 1 current path at DC-1	
— at 24 V rated value	32 A
— at 110 V rated value	32 A
— at 220 V rated value	32 A
• with 2 current paths in series at DC-1	
— at 24 V rated value	32 A
— at 110 V rated value	32 A

— at 220 V rated value	32 A
— at 440 V rated value	32 A
— at 600 V rated value	32 A
— at 750 V rated value	32 A
● at DC-3 at DC-5	
— at 220 V rated value	32 A
— at 600 V rated value	21 A
— at 750 V rated value	7.5 A
● at 1 current path at DC-3 at DC-5	
— at 24 V rated value	32 A
— at 110 V rated value	32 A
— at 220 V rated value	32 A
● with 2 current paths in series at DC-3 at DC-5	
— at 24 V rated value	32 A
— at 110 V rated value	32 A
— at 220 V rated value	32 A
— at 440 V rated value	29 A
— at 600 V rated value	21 A
— at 750 V rated value	7.5 A
operating power	
● at DC-1	
— at 110 V rated value	3.5 kW
— at 220 V rated value	7 kW
— at 440 V rated value	14 kW
— at 750 V rated value	24 kW
● at DC-3 at DC-5	
— at 110 V rated value	2.5 kW
— at 220 V rated value	5 kW
— at 440 V rated value	9 kW
— at 600 V rated value	9 kW
— at 750 V rated value	4 kW
operating frequency	
● at DC-1 maximum	1 500 1/h
● at DC-3 maximum	750 1/h
● at DC-5 maximum	750 1/h
Control circuit/ Control	
type of voltage of the control supply voltage	DC
control supply voltage at DC rated value	24 V
design of the surge suppressor	with varistor
closing power of magnet coil at DC	48 W
holding power of magnet coil at DC	13 W
closing delay at DC	35 ... 190 ms
opening delay at DC	10 ... 25 ms
arcing time	20 ... 30 ms
Auxiliary circuit	
number of NC contacts for auxiliary contacts	2
● instantaneous contact	1
number of NO contacts for auxiliary contacts	2
● instantaneous contact	2
number of CO contacts for auxiliary contacts	0
identification number and letter for switching elements	21
operational current at AC-12 maximum	10 A
operational current at AC-15	
● at 230 V rated value	5.6 A
● at 400 V rated value	3.6 A
● at 500 V rated value	2.5 A
operational current at DC-12	
● at 24 V rated value	10 A
● at 48 V rated value	10 A
● at 60 V rated value	10 A
● at 110 V rated value	3.2 A

<ul style="list-style-type: none"> • at 125 V rated value • at 220 V rated value • at 600 V rated value 	<p>2.5 A</p> <p>0.9 A</p> <p>0.22 A</p>
operational current at DC-13	
<ul style="list-style-type: none"> • at 24 V rated value • at 48 V rated value • at 60 V rated value • at 110 V rated value • at 125 V rated value • at 220 V rated value • at 600 V rated value 	<p>10 A</p> <p>5 A</p> <p>5 A</p> <p>1.14 A</p> <p>0.98 A</p> <p>0.48 A</p> <p>0.07 A</p>

UL/CSA ratings

contact rating of auxiliary contacts according to UL	A600 / P600
---	-------------

Short-circuit protection

design of the fuse link	
<ul style="list-style-type: none"> • for short-circuit protection of the main circuit <ul style="list-style-type: none"> — with type of coordination 1 required — with type of assignment 2 required • for short-circuit protection of the auxiliary switch required 	<p>2 x 3NA3020 (50 A) in series (750 V, 3 kA)</p> <p>2 x 3NA3020 (50 A) in series (750 V, 3 kA)</p> <p>gG: 16 A (500 V, 1 kA)</p>

Installation/ mounting/ dimensions

mounting position	standing, on horizontal mounting surface
fastening method side-by-side mounting	Yes
fastening method	screw and snap-on mounting onto 35 mm DIN rail according to DIN EN 50022
height	115 mm
width	82 mm
depth	145 mm
required spacing	
<ul style="list-style-type: none"> • with side-by-side mounting <ul style="list-style-type: none"> — forwards — backwards — upwards — downwards — at the side • for grounded parts <ul style="list-style-type: none"> — forwards — backwards — upwards — at the side — downwards • for live parts <ul style="list-style-type: none"> — forwards — backwards — upwards — downwards — at the side 	<p>15 mm</p> <p>0 mm</p> <p>10 mm</p> <p>10 mm</p> <p>10 mm</p> <p>30 mm</p> <p>0 mm</p> <p>10 mm</p> <p>10 mm</p> <p>10 mm</p> <p>30 mm</p> <p>0 mm</p> <p>10 mm</p> <p>10 mm</p> <p>10 mm</p>

Connections/ Terminals

type of electrical connection	screw terminal
<ul style="list-style-type: none"> • for main current circuit • for auxiliary and control circuit 	<p>screw-type terminals</p> <p>screw-type terminals</p>
type of connectable conductor cross-sections for main contacts	
<ul style="list-style-type: none"> • solid or stranded • finely stranded with core end processing 	<p>2x (2,5 ... 10 mm²)</p> <p>2x (1.5 ... 4 mm²)</p>
type of connectable conductor cross-sections	
<ul style="list-style-type: none"> • for auxiliary contacts <ul style="list-style-type: none"> — solid or stranded — finely stranded with core end processing 	<p>2x (1 ... 2.5 mm²)</p> <p>2x (0.75 ... 1.5 mm²)</p>

Safety related data

product function mirror contact according to IEC 60947-4-1	Yes; One NC contact each must be connected in series for the right and left auxiliary switch block respectively
--	---

Electrical Safety

protection class IP on the front according to IEC 60529	IP00
--	------

Approvals Certificates

General Product Approval



[Confirmation](#)



EG-Konf.



UL



Functional Safety

Test Certificates

other

[Type Examination Certificate](#)

[Type Examination Certificate](#)

[Special Test Certificate](#)

[Type Test Certificates/Test Report](#)

[Miscellaneous](#)

[Confirmation](#)

Dangerous goods

Environment

[Transport Information](#)

[Environmental Confirmations](#)

Further information

Information on the packaging

<https://support.industry.siemens.com/cs/ww/en/view/109813875>

Information- and Downloadcenter (Catalogs, Brochures,...)

<https://www.siemens.com/ic10>

Industry Mall (Online ordering system)

<https://mall.industry.siemens.com/mall/en/en/Catalog/product?mlfb=3TC4417-0LB4-Z B01>

Cax online generator

<http://support.automation.siemens.com/WWW/CAXorder/default.aspx?lang=en&mlfb=3TC4417-0LB4-Z B01>

Service&Support (Manuals, Certificates, Characteristics, FAQs,...)

<https://support.industry.siemens.com/cs/ww/en/ps/3TC4417-0LB4-Z B01>

Image database (product images, 2D dimension drawings, 3D models, device circuit diagrams, EPLAN macros, ...)

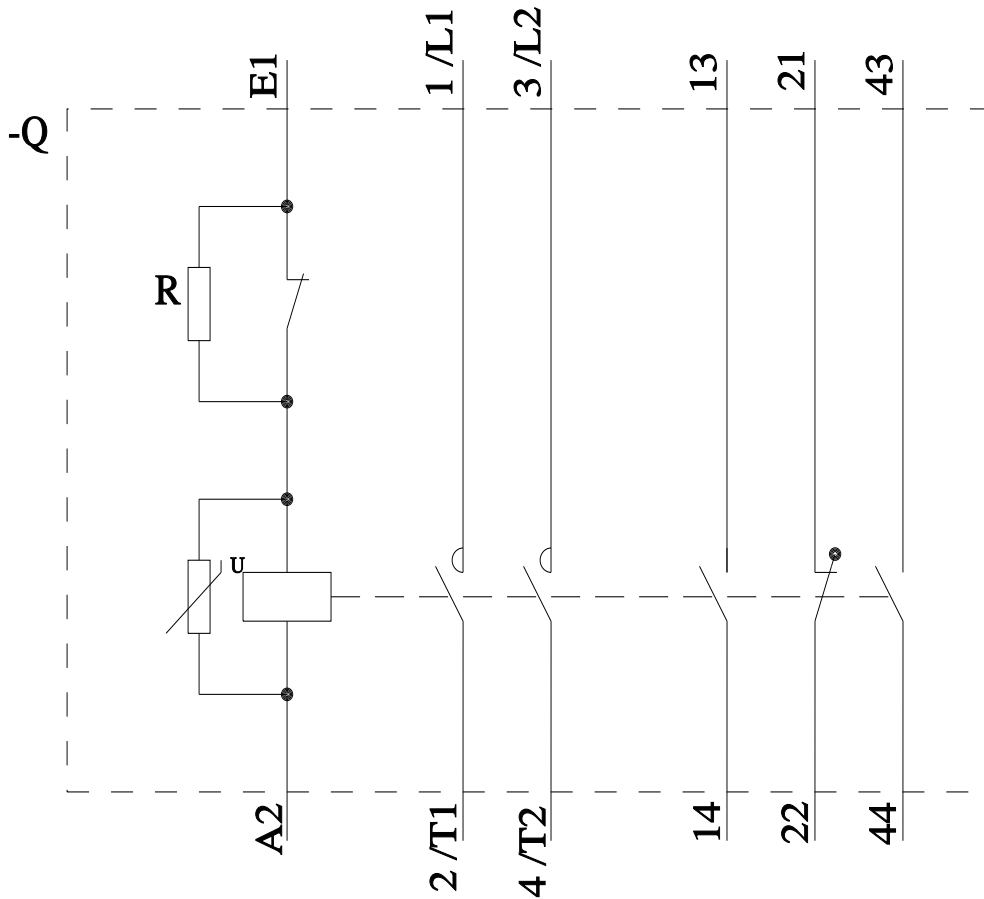
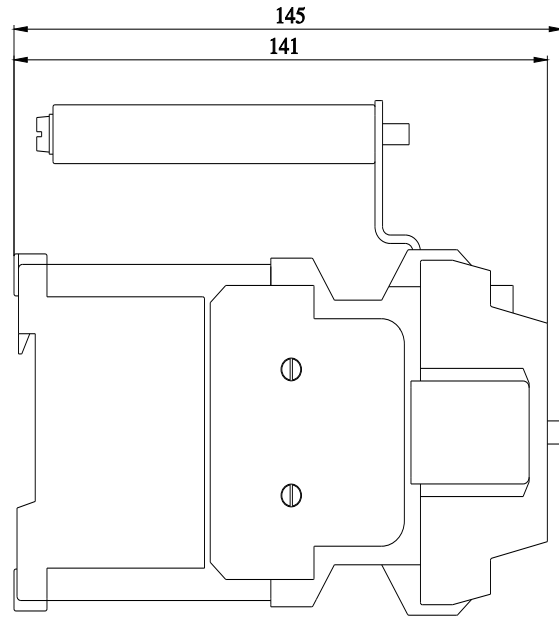
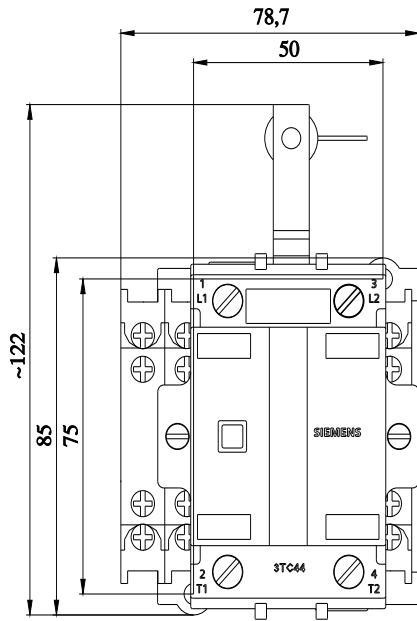
http://www.automation.siemens.com/bilddb/cax_de.aspx?mlfb=3TC4417-0LB4-Z B01&lang=en

Characteristic: Tripping characteristics, I²t, Let-through current

<https://support.industry.siemens.com/cs/ww/en/ps/3TC4417-0LB4-Z B01/char>

Further characteristics (e.g. electrical endurance, switching frequency)

<http://www.automation.siemens.com/bilddb/index.aspx?view=Search&mlfb=3TC4417-0LB4-Z B01&objecttype=14&gridview=view1>



last modified:

4/8/2024

