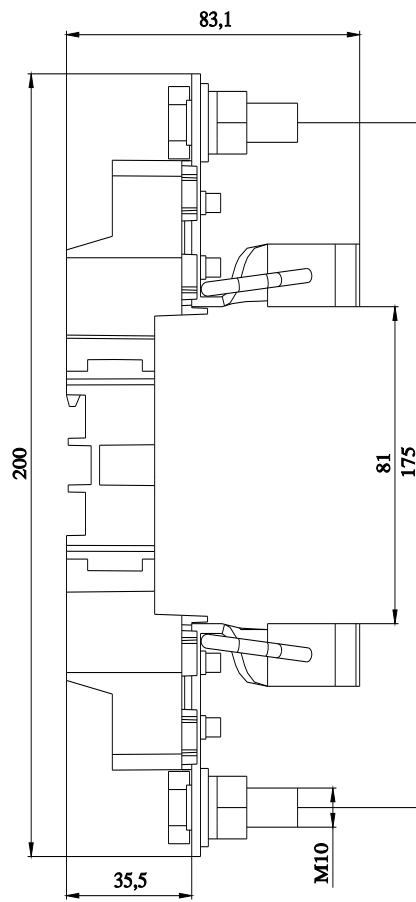
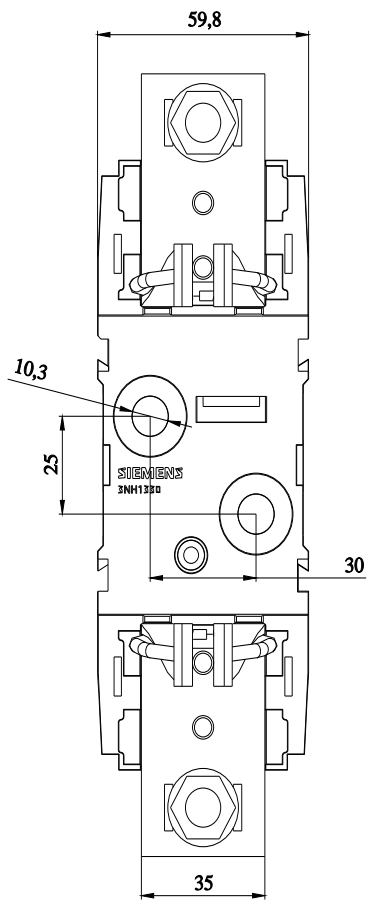


HRC fuse base plastic Sz. 2 1-pole 400A 690V flat terminal

Model	
design of the thread of the nut	M10
design of the thread of the connection screw	M10
General technical data	
number of poles	1
size of fuse system according to EN 60269-1	NH2
utilization category	Without
Supply voltage	
supply voltage	
• at AC	690 V
• at DC	690 V
Product details	
product component swivel-in mechanism	No
maximum short-circuit current breaking capacity (Icu)	
• at AC rated value	120 kA
• at DC rated value	120 kA
Connections	
connectable conductor cross-section on terminal strip	
• minimum	25 mm ²
• maximum	240 mm ²
tightening torque of the screw for securing the equipment maximum	6 N·m
tightening torque with screw-type terminals maximum	32 N·m
type of electrical connection	With flat-type terminal
• for main current circuit	with flat-type terminal
Mechanical Design	
height	225 mm
width	60 mm
depth	89 mm
fastening method	fixed mounting
fastening method bus-mounting	No
net weight	394 g
Approvals Certificates	
other	

[Confirmation](#)

Further information	
Information on the packaging	https://support.industry.siemens.com/cs/ww/en/view/109813875
Information- and Downloadcenter (Catalogs, Brochures,...)	http://www.siemens.com/lowvoltage/catalogs
Industry Mall (Online ordering system)	https://mall.industry.siemens.com/mall/en/en/Catalog/product?mlfb=3NH1330
Service&Support (Manuals, Certificates, Characteristics, FAQs,...)	https://support.industry.siemens.com/cs/ww/en/ps/3NH1330
Image database (product images, 2D dimension drawings, 3D models, device circuit diagrams, ...)	http://www.automation.siemens.com/bilddb/cax_en.aspx?mlfb=3NH1330
CAx-Online-Generator	http://www.siemens.com/cax
Tender specifications	http://www.siemens.com/specifications



last modified:

2/6/2025 