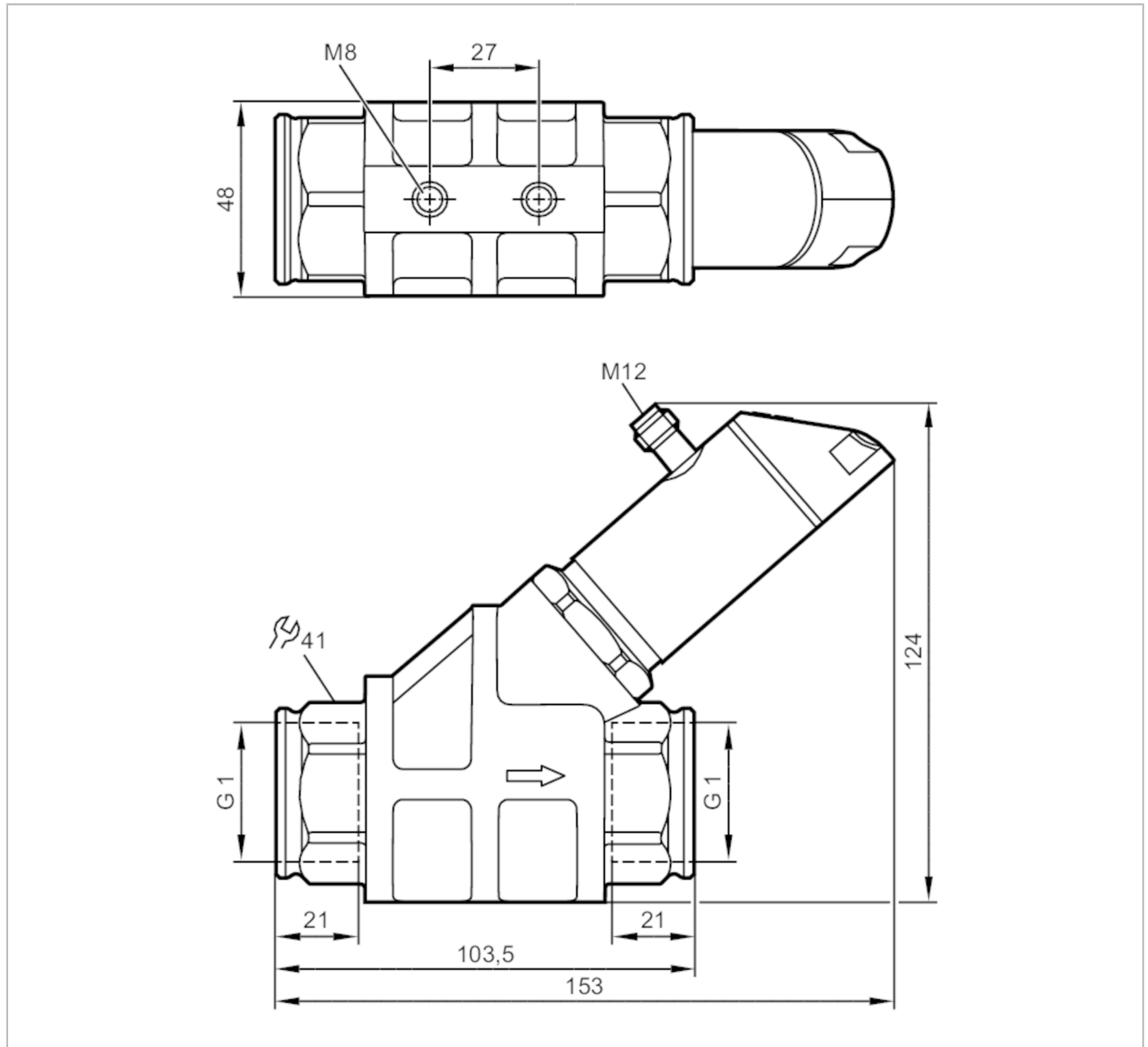


SB3246



Flow meter with integrated backflow prevention and display

SBG11KL0FRKG



Product characteristics				
Measuring range	2...100 l/min	0.12...6 m³/h	32...1586 gph	0.55...26.4 gpm
Process connection	threaded connection G 1 internal thread			
Application				
Special feature	Gold-plated contacts			
Media	Liquids; oils (viscosity 68 mm²/s at 40 °C)			
Medium temperature [°C]	-10...100			
Pressure rating	100 bar	10 MPa		
Note on pressure rating	at medium temperature >70°C: 80 bar / 8 MPa			



Flow meter with integrated backflow prevention and display

SBG11KL0FRKG

Electrical data					
Operating voltage	[V]	18...30 DC; (to SELV/PELV)			
Current consumption	[mA]	< 50			
Protection class		III			
Reverse polarity protection		yes			
Power-on delay time	[s]	< 3			
Outputs					
Total number of outputs		2			
Output signal		switching signal; analogue signal; frequency signal; IO-Link			
Output function		normally open / normally closed; (parameterisable)			
Max. voltage drop switching output DC	[V]	2			
Max. current load per output	[mA]	150; (200: ...60 °C; Ambient temperature; 250: ...40 °C; Ambient temperature)			
Analogue current output	[mA]	4...20			
Max. load	[Ω]	500			
Short-circuit protection		yes			
Overload protection		yes			
Frequency of the output	[Hz]	0...10000			
Measuring/setting range					
Measuring range		2...100 l/min	0.12...6 m³/h	32...1586 gph	0.55...26.4 gpm
Display range		0...120 l/min	0...7.2 m³/h	0...1902 gph	0...31.7 gpm
Resolution		0.1 l/min	0.01 m³/h	1 gph	0.01 gpm
Set point SP		0.7...100 l/min	0.04...6 m³/h	10...1586 gph	0.15...26.4 gpm
Reset point rP		0...99.3 l/min	0...5.96 m³/h	0...1574 gph	0...26.25 gpm
Frequency end point, FEP		6.7...100 l/min	0.4...6 m³/h	106...1586 gph	1.75...26.4 gpm
In steps of		0.1 l/min	0.01 m³/h	2 gph	0.05 gpm
Frequency at the end point FRP	[Hz]	10...10000			
In steps of	[Hz]	10			
Measuring dynamics		1:50			
Temperature monitoring					
Measuring range		-10...100 °C		14...212 °F	
Display range		-32...122 °C		-25.6...251.6 °F	
Resolution		0.1 °C		0.1 °F	
Set point SP		-9.3...100 °C		15.2...212 °F	
Reset point rP		-10...99.3 °C		14...210.8 °F	
In steps of		0.1 °C		0.2 °F	
Frequency start point, FSP		-10...78 °C		14...172.4 °F	
Frequency end point, FEP		12...100 °C		53.6...212 °F	
Frequency at the end point FRP	[Hz]	10...10000			
In steps of	[Hz]	10			
Accuracy / deviations					
Flow monitoring					
Accuracy (in the measuring range)		± 5 % MEW; (Q > 1 l/min; 20...70 °C Medium temperature)			



Flow meter with integrated backflow prevention and display

SBG11KL0FRKG

Repeatability	± 1 % MEW	
Temperature monitoring		
Temperature drift	0,029 °C / K	
Accuracy [K]	3 K (25°C; Q > 1 l/min)	
Response times		
Flow monitoring		
Response time [s]	0.01	
Damping process value dAP [s]	0...5	
In steps of [s]	0.1	
Damping for the analogue output dAA [s]	0...5	
In steps of [s]	0.1	
Temperature monitoring		
Dynamic response T05 / T09 [s]	T09 = 120 (Q > 1 l/min)	
Software / programming		
Parameter setting options	hysteresis / window; normally open / normally closed; switching logic; current/frequency output; damping for the switching output / analogue output; display can be rotated and switched off; standard unit of measurement; process value colour; calibration factor	
Interfaces		
Communication interface	IO-Link	
Transmission type	COM2 (38,4 kBaud)	
IO-Link revision	1.1	
SDCI standard	IEC 61131-9 CDV	
Profiles	Smart Sensor - SSP 0	Generic Profiled Sensor
	Function	Device identification
	Function	Process data variable
	Function	Device diagnosis
SIO mode	yes	
Required master port type	A	
Process data analogue	2	
Process data binary	2	
Min. process cycle time [ms]	3.2	
Supported DeviceIDs	Type of operation	DeviceID
	default	1046
Operating conditions		
Ambient temperature [°C]	0...60	
Note on ambient temperature	medium temperature < 80 °C	
	medium temperature < 100 °C: 0...40 °C	
Storage temperature [°C]	-15...80	
Protection	IP 65; IP 67	
Tests / approvals		
EMC	DIN EN 61000-6-2	
	DIN EN 61000-6-3	
Shock resistance	DIN EN 60068-2-27	20 g (11 ms)
Vibration resistance	DIN EN 60068-2-6	5 g (10...2000 Hz)

SB3246



Flow meter with integrated backflow prevention and display

SBG11KL0FRKG

MTTF	[years]	145
UL approval	UL approval no.	I006
	File number UL	E174189
Pressure Equipment Directive	Sound engineering practice	

Mechanical data

Weight	[g]	1586
Materials	stainless steel (316L/1.4404); PBT+PC-GF30; PBT-GF20; PC; brass chemically nickel-plated	
Materials (wetted parts)	stainless steel (316 / 1.4401); stainless steel (316L/1.4404); brass (2.0371); brass chemically nickel-plated; PPS; O-ring: FKM	
Process connection	threaded connection G 1 internal thread	
Switching cycles mechanical	10 million	

Displays / operating elements

Display	Display unit	6 x LED, green
	switching status	2 x LED, yellow
	measured values	alphanumeric display, red/green alternating indication 4-digit
	programming	alphanumeric display, 4-digit

Remarks

Remarks	Recommendation: use a 200-micron filter.
	All data refer to oil with the following nominal viscosity: 68 mm ² /s, 40 °C
	MW = measured value
	MEW = Final value of the measuring range
Pack quantity	1 pcs.

Electrical connection

Connector: 1 x M12; coding: A; Contacts: gold-plated





Flow meter with integrated backflow prevention and display

SBG11KL0FRKG

Connection



OUT1:

- switching output volumetric flow quantity monitoring
- switching output Temperature monitoring
- frequency output volumetric flow quantity monitoring
- frequency output Temperature monitoring
- IO-Link

OUT2:

- switching output volumetric flow quantity monitoring
- switching output Temperature monitoring
- analogue output volumetric flow quantity monitoring
- analogue output Temperature monitoring
- colours to DIN EN 60947-5-2

Core colours :

- BK = black
- BN = brown
- BU = blue
- WH = white

Diagrams and graphs

