

22MM METAL ROUND ACTUATOR: MUSHR.PUSHBUTTON 60MM  
MOMENTARY CONTACT TYPE WITH HOLDER YELLOW Z= 20  
UNITS PACKED



Figure similar

|   |                        |
|---|------------------------|
| <b>Design of the product</b>                | Single device round    |
| <b>Enclosure:</b>                           |                        |
| Number of command points                    | 1                      |
| <b>Actuator:</b>                            |                        |
| Design of the operating mechanism           | mushromm pushbutton    |
| Manner of function of the actuating element | Momentary contact type |
| Product extension optional Light source     | No                     |
| Color                                       |                        |
| • of the actuating element                  | Yellow                 |
| Material of the actuating element           | plastic                |
| Outer diameter of the actuating element     | 60 mm                  |
| Type of unlocking device                    | without                |
| Number of switching positions               | 2                      |
| <b>Front ring:</b>                          |                        |
| Product component front ring                | Yes                    |
| Design of the front ring                    | Standard               |
| Material of the front ring                  | metal                  |

|   |                   |
|---|-------------------|
| Color of the front ring   | silver            |
| <b>Holder:</b>  |                   |
| Material of the holder  | Metal             |
| <b>General technical data:</b>                                      |                   |
| <b>Product function</b>   |                   |
| • EMERGENCY OFF function  | No                |
| • EMERGENCY STOP function   | No                |
| <b>Protection class IP</b>  | IP67              |
| <b>Vibration resistance</b>   |                   |
| • acc. to IEC 60068-2-6   | 20 ... 200 Hz: 5g |
| <b>Operating frequency maximum</b>                                  | 1 000 1/h         |
| <b>Mechanical service life (switching cycles)</b>                   |                   |
| • typical   | 300 000           |
| <b>Equipment marking</b>  |                   |
| • acc. to DIN 40719 extended according to IEC 204-2 acc. to IEC 750 | S                 |
| • acc. to DIN EN 61346-2  | S                 |
| • acc. to DIN EN 81346-2  | S                 |
| <b>Connections/ Terminals:</b>                                      |                   |
| <b>Tightening torque of the screws in the bracket</b>               | 1.4 ... 1.6 N·m   |
| <b>Ambient conditions:</b>  |                   |
| <b>Ambient temperature</b>  |                   |
| • during operation  | -25 ... +70 °C    |
| • during storage  | -40 ... +80 °C    |
| <b>Environmental category during operation acc. to IEC 60721</b>    | 3K6               |
| <b>Installation/ mounting/ dimensions:</b>                          |                   |
| <b>Mounting type</b>  | front mounting    |
| <b>Shape of the installation opening</b>                            | round             |
| <b>Mounting diameter</b>  | 22 mm             |
| <b>Mounting height</b>  | 24.5 mm           |
| <b>Installation width</b>   | 60 mm             |
| <b>Installation depth</b>   | 29 mm             |
| <b>Certificates/approvals</b>                                       |                   |

| General Product Approval   |   |   | Declaration of Conformity   | Test Certificates   | Shipping Approval  |
|--|---|---|---|---|--|
| <br>CSA | <br>UL |  | <br>EG-Konf. | <a href="#">spezielle Prüfbescheinigungen</a><br><u>n</u> | <br>ABS |

| Shipping Approval  |  |  |   | other                   |                                   |
|--|--|--|---|-------------------------|-----------------------------------|
| <br>DNV | <br>LRS | <br>PRS | <br>RINA | <a href="#">sonstig</a> | <a href="#">Umweltbestätigung</a> |

| other                         |
|-------------------------------|
| <a href="#">Bestätigungen</a> |

#### Further information

##### Information- and Downloadcenter (Catalogs, Brochures,...)

<http://www.siemens.com/industrial-controls/catalogs>

##### Industry Mall (Online ordering system)

<https://mall.industry.siemens.com/mall/en/en/Catalog/product?mlfb=3SB3500-1QA31-Z X90>

##### Cax online generator

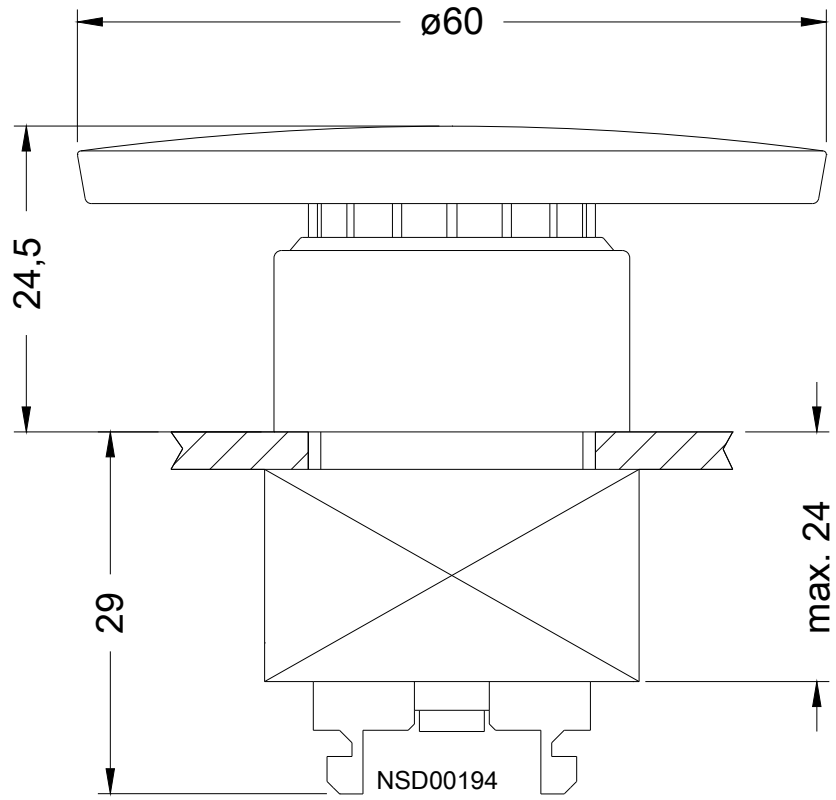
<http://support.automation.siemens.com/WW/CAXorder/default.aspx?lang=en&mlfb=3SB3500-1QA31-Z X90>

##### Service&Support (Manuals, Certificates, Characteristics, FAQs,...)

<https://support.industry.siemens.com/cs/ww/en/ps/3SB3500-1QA31-Z X90>

##### Image database (product images, 2D dimension drawings, 3D models, device circuit diagrams, EPLAN macros, ...)

[http://www.automation.siemens.com/bilddb/cax\\_de.aspx?mlfb=3SB3500-1QA31-Z X90&lang=en](http://www.automation.siemens.com/bilddb/cax_de.aspx?mlfb=3SB3500-1QA31-Z X90&lang=en)



last modified:

08/18/2016