

# SAC-5PT-FB/2XMB PBDP SH - T distributor



1424711

<https://www.phoenixcontact.com/gb/products/1424711>

Please be informed that the data shown in this PDF document is generated from our online catalog. Please find the complete data in the user documentation. Our general terms of use for downloads are valid.



T distributor, PROFIBUS DP (12 Mbps), 5-position, shielded, Socket straight M12, coding: B, on Plug straight M12, coding: B and Plug straight M12, coding: B

## Your advantages

- Safe use in the field, thanks to a high degree of protection
- Reliable signal transmission – 360° shielding in environments with electromagnetic interference

## Commercial data

Item number	1424711
Packing unit	1 pc
Minimum order quantity	1 pc
Sales key	AF1GAA
Product key	AF1GAA
GTIN	4055626376745
Weight per piece (including packing)	49.4 g
Weight per piece (excluding packing)	49.4 g
Customs tariff number	85366990
Country of origin	DE

1424711

<https://www.phoenixcontact.com/gb/products/1424711>

## Technical data

### Product properties

Product type	T-distributor
Sensor type	PROFIBUS DP
Number of positions	5
No. of cable outlets	2
Shielded	yes
Coding	B
Thread type	M12

### Insulation characteristics

Overvoltage category	II
Degree of pollution	3

### Electrical properties

Nominal voltage $U_N$	48 V AC
	60 V DC
Nominal current $I_N$	1 A (Contact 2 and 4)
	4 A (Contact 1 and 3)
Transmission medium	Copper
Transmission speed	12 Mbps

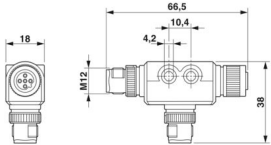
### Interfaces

Signal type/category	PROFIBUS DP, 12 Mbps
----------------------	----------------------

### Signaling

Status display	no
Status display present	no

### Dimensions

Dimensional drawing	
Height	18 mm
Length	66.5 mm

### Material specifications

Material	PBT (Female connector contact carrier)
	(Pin contact carrier)
Flammability rating according to UL 94	V0
Seal material	NBR

# SAC-5PT-FB/2XMB PBDP SH - T distributor



1424711

<https://www.phoenixcontact.com/gb/products/1424711>

Material of grip body	PBT
Contact material	CuZn (pin) / CuSn (socket)
Contact surface material	Ni/Au
Material for screw connection	Zinc die-cast, nickel-plated

## Connector

### Connection 1

Type	Socket straight M12
Coding type	B

### Connection 2

Type	Plug straight M12
Coding type	B

### Connection 3

Type	Plug straight M12
Coding type	B

## Cable/line

Signal type/category	PROFIBUS DP, 12 Mbps
----------------------	----------------------

## Mechanical properties

### Mechanical data

Insertion/withdrawal cycles	≥ 100
-----------------------------	-------

## Environmental and real-life conditions

### Ambient conditions

Degree of protection	IP65
Ambient temperature (operation) (male connector/female connector)	-25 °C ... 85 °C (Plug / socket)

## Standards and regulations

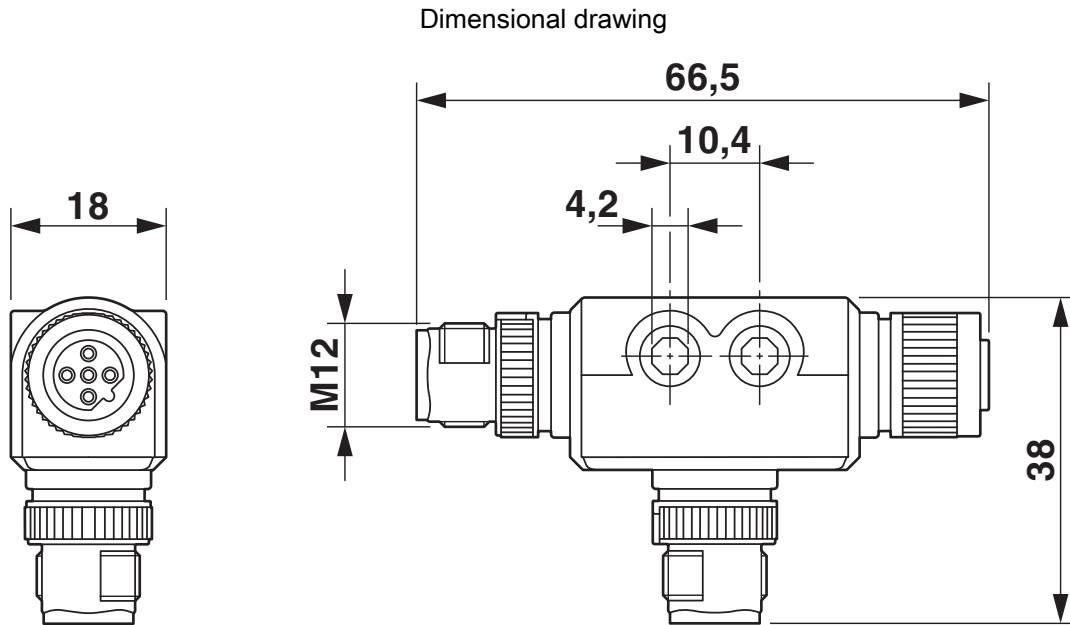
Standard designation	M12 connector
Standards/specifications	according to IEC 61076-2-101

# SAC-5PT-FB/2XMB PBDP SH - T distributor

1424711

<https://www.phoenixcontact.com/gb/products/1424711>

## Drawings



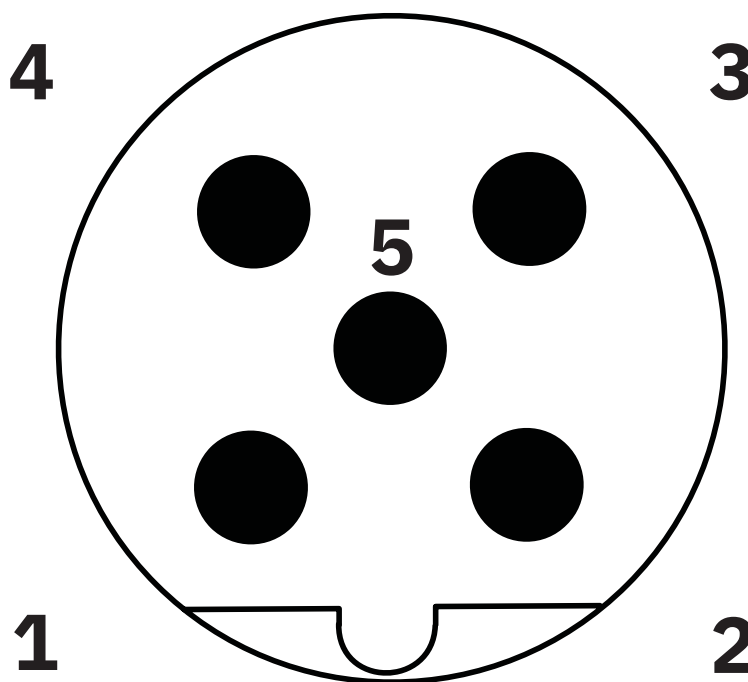
M12 T distributor

# SAC-5PT-FB/2XMB PBDP SH - T distributor

1424711

<https://www.phoenixcontact.com/gb/products/1424711>

Schematic diagram

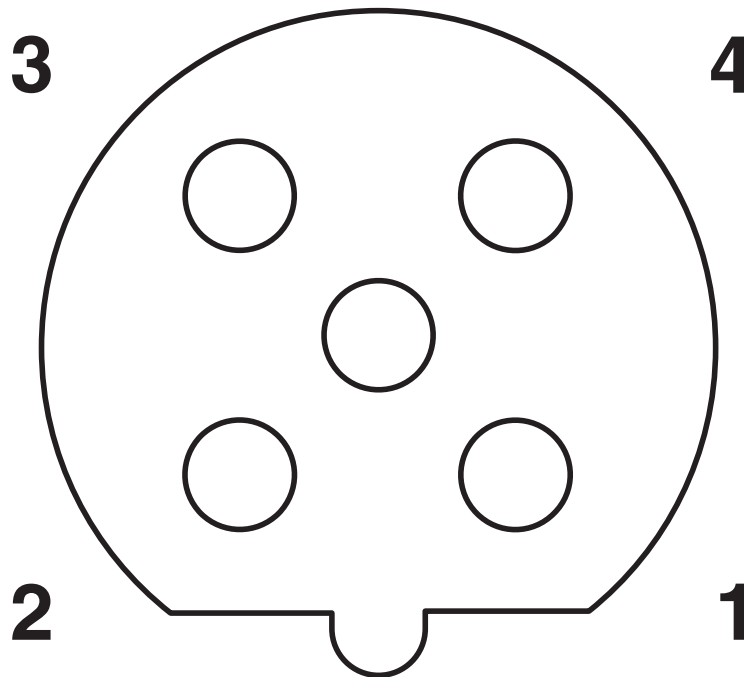


Pin assignment M12 male connector, 5-pos., B-coded, male side

1424711

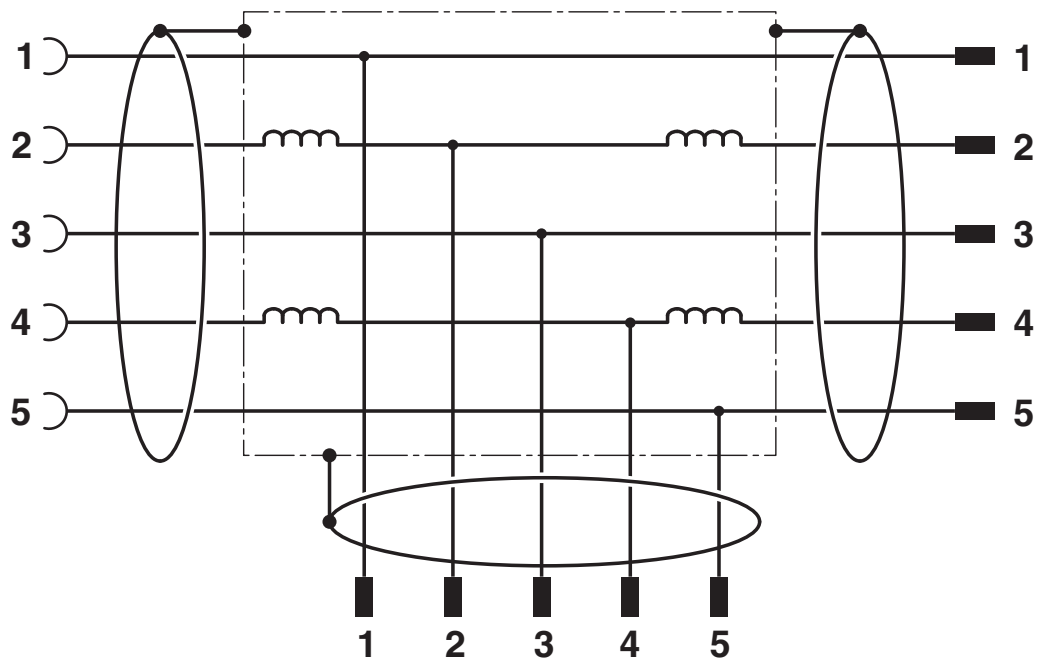
<https://www.phoenixcontact.com/gb/products/1424711>

Schematic diagram



Pin assignment M12 socket, 5-pos., B-coded, female side

Circuit diagram



Contact assignment of the M12 plug and the M12 socket

# SAC-5PT-FB/2XMB PBDP SH - T distributor



1424711

<https://www.phoenixcontact.com/gb/products/1424711>

## Classifications

### ECLASS

ECLASS-13.0	27440106
ECLASS-15.0	27440106

### ETIM

ETIM 9.0	EC002925
----------	----------

### UNSPSC

UNSPSC 21.0	31251500
-------------	----------

# SAC-5PT-FB/2XMB PBDP SH - T distributor



1424711

<https://www.phoenixcontact.com/gb/products/1424711>

## Environmental product compliance

### EU RoHS

Fulfills EU RoHS substance requirements	Yes, No exemptions
---	--------------------

### China RoHS

Environment friendly use period (EFUP)	EFUP-E
	No hazardous substances above the limits

### EU REACH SVHC

REACH candidate substance (CAS No.)	No substance above 0.1 wt%
-------------------------------------	----------------------------

Phoenix Contact 2025 © - all rights reserved  
<https://www.phoenixcontact.com>

PHOENIX CONTACT Ltd  
Halesfield 13, Telford  
Shropshire, TF7 4PG  
01952 681700  
[info@phoenixcontact.co.uk](mailto:info@phoenixcontact.co.uk)