

# SACC-M12MS-8CON-PG 9-SH - Connector



1511857

<https://www.phoenixcontact.com/gb/products/1511857>

Please be informed that the data shown in this PDF document is generated from our online catalog. Please find the complete data in the user documentation. Our general terms of use for downloads are valid.



Connector, Universal, 8-position, shielded, Plug straight M12, coding: A, Screw connection, knurl material: Brass, nickel-plated, external cable diameter 6 mm ... 8 mm

## Your advantages

- Safe use in the field, thanks to a high degree of protection
- Screw connection: proven connection technology for a large selection of different conductors
- Reliable signal transmission – 360° shielding in environments with electromagnetic interference

## Commercial data

Item number	1511857
Packing unit	1 pc
Minimum order quantity	1 pc
Sales key	AF2CBA
Product key	AF2CBA
GTIN	4017918908638
Weight per piece (including packing)	57.8 g
Weight per piece (excluding packing)	43.82 g
Customs tariff number	85366990
Country of origin	DE

## Technical data

### Notes

Assembly note	<b>NOTE:</b> Observe the permissible bending radii when routing cables, since the degree of protection may be at risk if the bending forces are too high. Reduce mechanical loads upstream of the connector, e.g., by using cable ties.
---------------	---

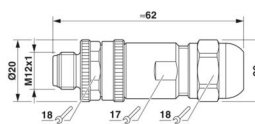
### Product properties

Product type	Circular connector (cable-side)
Sensor type	Universal
Number of positions	8
No. of cable outlets	1
Shielded	yes
Coding	A

### Insulation characteristics

Overvoltage category	II
Degree of pollution	3

### Dimensions

Dimensional drawing	
Width	20 mm
Height	20 mm
Length	62 mm
Wrench size, union nut	18 mm
Wrench size, counter nut	17 mm

### External dimensions

Outside diameter	6 mm ... 8 mm
------------------	---------------

### Housing

Diameter housing	20 mm
------------------	-------

### Material specifications

Flammability rating according to UL 94	HB
Seal material	Silicon
Material of grip body	Brass, nickel-plated
Contact material	CuZn
Contact surface material	Au
Contact carrier material	PA
Material for screw connection	Brass, nickel-plated

# SACC-M12MS-8CON-PG 9-SH - Connector



1511857

<https://www.phoenixcontact.com/gb/products/1511857>

Standards/regulations	PA (Cable gland)
-----------------------	------------------

## Connection data

### Conductor connection

Connection method	Screw connection
Connection cross section	0.25 mm <sup>2</sup> ... 0.5 mm <sup>2</sup> (without ferrule)
	0.14 mm <sup>2</sup> ... 0.34 mm <sup>2</sup> (with ferrule)
	0.25 mm <sup>2</sup> ... 0.5 mm <sup>2</sup> (solid)
Connection cross section AWG	24 ... 20 (without ferrule)
	26 ... 22 (with ferrule)
Stripping length of the individual wire	5 mm
Tightening torque	0.4 Nm (M12 knurl)
	0.2 Nm (Screw terminal blocks)
	1 Nm (Pressure nut with coupling sleeve)

## Electrical properties

Rated surge voltage	0.8 kV
Contact resistance	≤ 8 mΩ
Insulation resistance	≥ 100 MΩ
Nominal voltage U <sub>N</sub>	30 V AC
	30 V DC
Nominal current I <sub>N</sub>	2 A

## Mechanical properties

### Mechanical data

Insertion/withdrawal cycles	≥ 100
-----------------------------	-------

## Connector

### Connection 1

Head design	Plug
Head cable outlet	straight
Head thread type	M12
Coding	A

## Cable/line

Signal type/category	Universal
Stripping length of the individual wire	5 mm

## Environmental and real-life conditions

### Ambient conditions

Degree of protection	IP67
Ambient temperature (operation) (male connector/female connector)	-40 °C ... 85 °C (Plug / socket)

# SACC-M12MS-8CON-PG 9-SH - Connector



1511857

<https://www.phoenixcontact.com/gb/products/1511857>

## Standards and regulations

Standard designation	M12 connector
Standards/specifications	IEC 61076-2-101

# SACC-M12MS-8CON-PG 9-SH - Connector

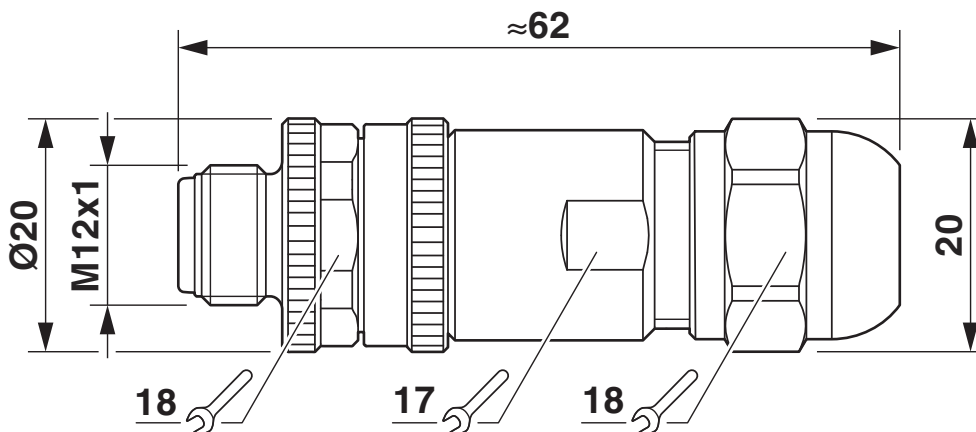


1511857

<https://www.phoenixcontact.com/gb/products/1511857>

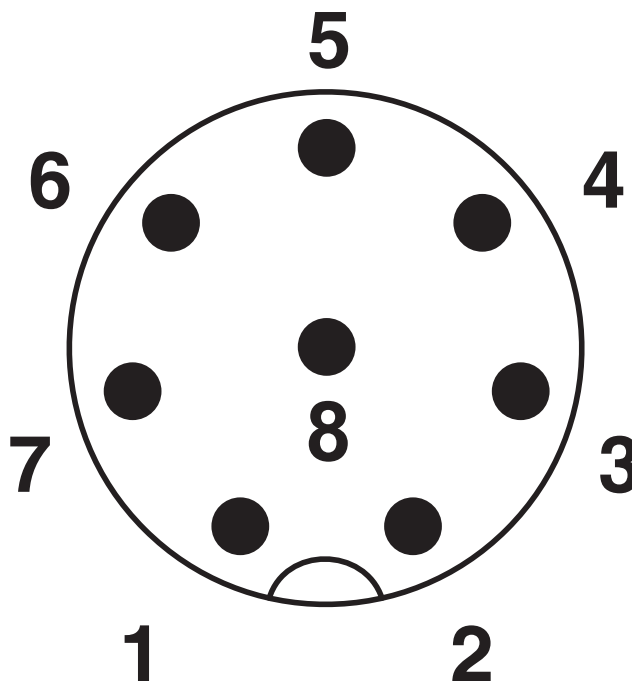
## Drawings

Dimensional drawing



Plug, M12 x 1, straight, shielded

Schematic diagram



Pin assignment of M12 plug, 8-pos., A-coded, view of plug side

# SACC-M12MS-8CON-PG 9-SH - Connector




1511857

<https://www.phoenixcontact.com/gb/products/1511857>

## Approvals

To download certificates, visit the product detail page: <https://www.phoenixcontact.com/gb/products/1511857>

 <b>cUL Recognized</b> Approval ID: FILE E 221474				
	Nominal voltage $U_N$	Nominal current $I_N$	Cross section AWG	Cross section $mm^2$
	30 V	2 A	-	-

 <b>UL Recognized</b> Approval ID: FILE E 221474				
	Nominal voltage $U_N$	Nominal current $I_N$	Cross section AWG	Cross section $mm^2$
	30 V	2 A	-	-

# SACC-M12MS-8CON-PG 9-SH - Connector



1511857

<https://www.phoenixcontact.com/gb/products/1511857>

## Classifications

### ECLASS

ECLASS-13.0	27440116
ECLASS-15.0	27440116

### ETIM

ETIM 9.0	EC002635
----------	----------

### UNSPSC

UNSPSC 21.0	39121400
-------------	----------

1511857

<https://www.phoenixcontact.com/gb/products/1511857>

## Environmental product compliance

### EU RoHS

Fulfills EU RoHS substance requirements	Yes
Exemption	6(c)

### China RoHS

Environment friendly use period (EFUP)	EFUP-50
	An article-related China RoHS declaration table can be found in the download area for the respective article under "Manufacturer declaration". For all articles with EFUP-E, no China RoHS declaration table issued and required.

### EU REACH SVHC

REACH candidate substance (CAS No.)	Lead(CAS: 7439-92-1)
SCIP	a8ee47cc-71a3-41d0-a6ec-4259742e6222

Phoenix Contact 2025 © - all rights reserved

<https://www.phoenixcontact.com>

PHOENIX CONTACT Ltd  
Halesfield 13, Telford  
Shropshire, TF7 4PG  
01952 681700  
[info@phoenixcontact.co.uk](mailto:info@phoenixcontact.co.uk)