

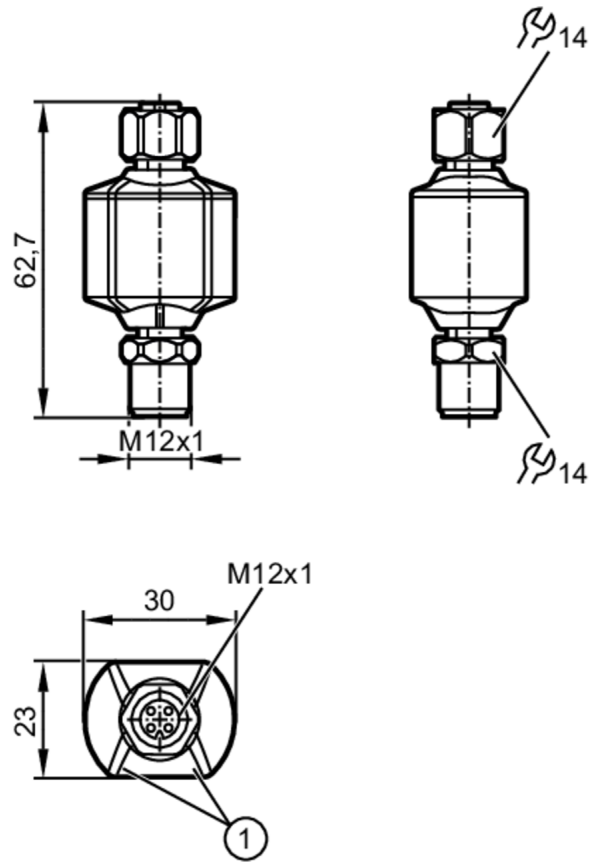
EIO104



IO-Link master / converter - 4...20 mA

IO-LINK/4-20mA MASTERCONVERTER

This converter only works in combination with appropriately specified ifm sensors (see device catalogue under "Downloads")



1 LEDs



Product characteristics

Number of inputs and outputs: 2 Number of analogue outputs: 2

Application

Design: integrated IO-Link master

Electrical data

Operating voltage [V]	18...30 DC; (to SELV/PELV)
Nominal voltage DC [V]	24
Current consumption [mA]	< 30
Max. current load total [A]	0.83

Inputs / outputs

Number of inputs and outputs: 2 Number of analogue outputs: 2

Outputs

Number of analogue outputs	2
Analogue current output [mA]	4...20
Max. load [Ω]	500
Precision analogue output [%]	0,25

EIO104



IO-Link master / converter - 4...20 mA

IO-LINK/4-20mA MASTERCONVERTER

Interfaces		
Communication interface	IO-Link	
Transmission type	COM1 (4,8 kBaud); COM2 (38,4 kBaud); COM3 (230,4 kBaud)	
IO-Link revision	1.1	
Number of ports class A	1	
Transmission type	COM2 (38,4 kBaud)	
Profiles	Common - I&D	Identification and Diagnosis
Min. process cycle time [ms]	4.2	
Supported DeviceIDs	Type of operation	DeviceID
	default	1398
Operating conditions		
Ambient temperature [°C]	-25...60	
Storage temperature [°C]	-40...70	
Max. relative air humidity [%]	90; (linearly decreasing to 50 % (40 °C) non condensing)	
Protection	IP 67; IP 69K	
Tests / approvals		
MTTF [years]	254	
UL approval	Ta	max. 55 °C
	Enclosure type	Type 1
	power supply	Low Voltage / Limited Energy
	File number UL	E205959
Mechanical data		
Weight [g]	91.45	
Housing	rectangular	
Dimensions [mm]	62.7 x 30 x 23	
Materials	PA; stainless steel (316L/1.4404); FKM	
Displays / operating elements		
Display	status	1 x LED, red
	operation	1 x LED, green
Remarks		
Remarks	For further information please see the operating instructions. the device complies with overvoltage category II	
Notes	This converter only works in combination with appropriately specified ifm sensors (see device catalogue under "Downloads")	
Pack quantity	1 pcs.	



IO-Link master / converter - 4...20 mA

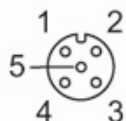
IO-LINK/4-20mA MASTERCONVERTER

Electrical connection - plug



1	L+
2	analogue output 4...20 mA
3	L-
4	analogue output 4...20 mA

Electrical connection - socket



1	L+
2	not used
3	L-
4	IO-Link
5	not used