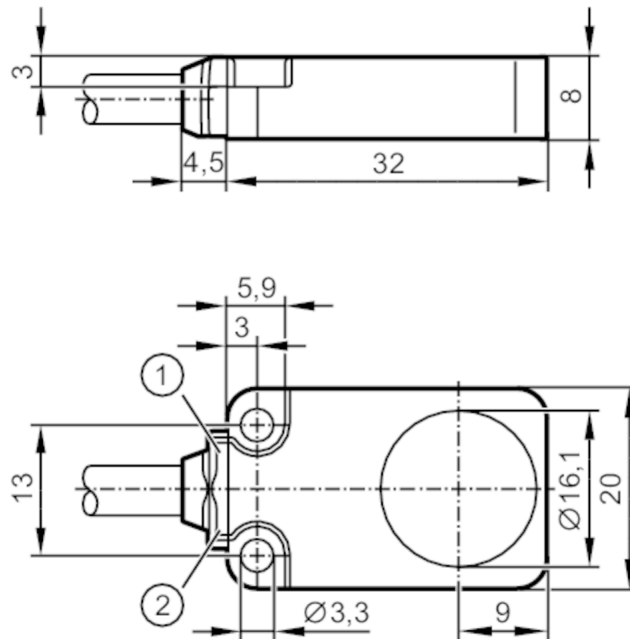


IQW200



Inductive sensor

IQ23008BBPKG/K1/SC/2M/PUR



- 1 LED green
- 2 LED yellow



Product characteristics

Electrical design	PNP
Output function	normally open
Sensing range [mm]	8
Housing	rectangular
Dimensions [mm]	20 x 8 x 32

Application

Special feature	Drag chain suitability; Increased sensing range; Magnetic-field immune
Application	Use in welding applications
Magnetic-field immune	yes
Max. magnetic field immunity [mT]	300

Electrical data

Operating voltage [V]	10...30 DC
Current consumption [mA]	< 20
Protection class	III
Reverse polarity protection	yes

Outputs

Electrical design	PNP
Output function	normally open
Max. voltage drop switching output DC [V]	2.5
Permanent current rating of switching output DC [mA]	100
Switching frequency DC [Hz]	2000

IQW200



Inductive sensor

IQ23008BBPKG/K1/SC/2M/PUR

Short-circuit protection	yes
Overload protection	yes

Detection zone

Sensing range [mm]	8
Real sensing range Sr [mm]	8 ± 10 %
Operating distance [mm]	0...6.48
Increased sensing range	yes

Accuracy / deviations

Correction factor	steel: 1 / stainless steel: 1 / brass: 1 / aluminium: 1 / copper: 1
Hysteresis [% of Sr]	3...15
Switch point drift [% of Sr]	-10...10

Operating conditions

Ambient temperature [°C]	-40...85
Protection	IP 65; IP 66; IP 67; IP 68

Tests / approvals

EMC	EN 61000-4-2 ESD	4 kV CD / 8 kV AD
	EN 61000-4-3 HF radiated	10 V/m
	EN 61000-4-4 Burst	2 kV
	EN 61000-4-6 HF conducted	10 V
	EN 55011	class B
Vibration resistance	EN 60068-2-6 Fc	20 g (10...3000 Hz) / 50 sweep cycles, 1 octave per minute, in 3 axes
Shock resistance	EN 60068-2-27 Ea	100 g 11 ms half-sine; 3 shocks each in every direction of the 3 coordinate axes
Continuous shock resistance	EN 60068-2-27	40 g 6 ms; 4000 shocks each in every direction of the 3 coordinate axes
Fast temperature change	EN 60068-2-14 Na	TA = -40°C; TB = 85°C; t1 = 30 min; t2 = < 10 s 50 cycles
MTTF [years]		1084
UL approval	Ta	-40...60 °C
	Enclosure type	Type 1
	power supply	Limited Voltage/Current
	UL approval no.	A021
	File number UL	E174191

Mechanical data

Weight [g]	78.9	
Housing	rectangular	
Mounting	flush mountable	
Dimensions [mm]	20 x 8 x 32	
Materials	diecast zinc anti-spatter; sensing face: LCP black; LED window: TPU; potting: PUR	
Drag chain suitability	yes	
Drag chain suitability	bending radius for flexible use	min. 10 x cable diameter
	bending cycles	> 5 Mio.

Displays / operating elements

Display	Display operation	1 x LED, green
	switching status	1 x LED, yellow

IQW200



Inductive sensor

IQ23008BBPKG/K1/SC/2M/PUR

Remarks

Pack quantity

1 pcs.

Electrical connection

Cable: 2 m, PUR, \varnothing 4.9 mm; 3 x 0.34 mm²

Connection

