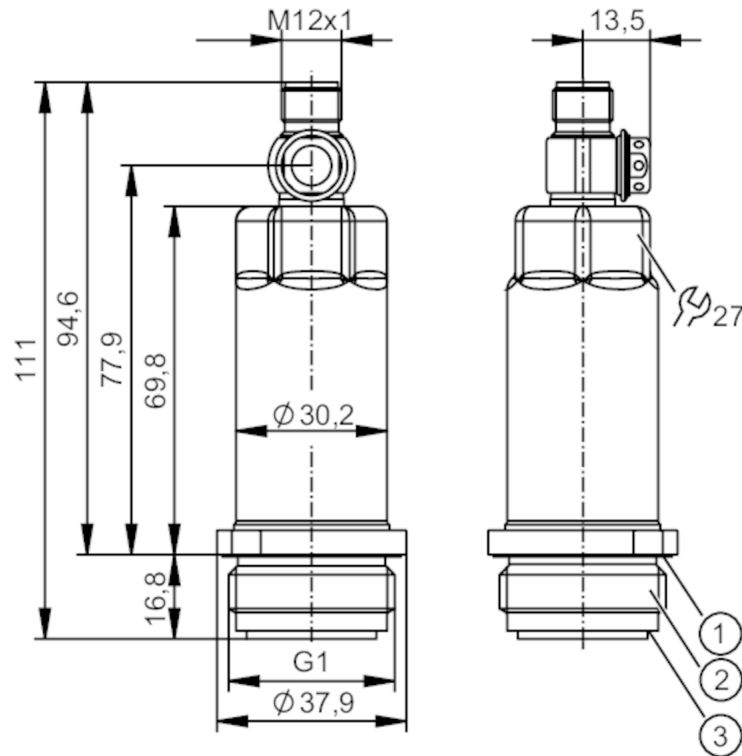


PM1707



Flush pressure sensor

PM-001BREA01-E-ZVG/US



- 1 groove with sealing ring (DIN EN ISO 1179-2)
- 2 external thread G1 (Aseptoflex Vario)
- 3 groove for sealing ring



ACS



CRN



EC 1935/2004

EHEDG Certified

FCM



IO-Link



Reg31



UK CA

Product characteristics

Number of inputs and outputs	Number of digital outputs: 1; Number of analogue outputs: 1			
Measuring range	-0.05...1 bar	-50...1000 mbar	-0.73...14.5 psi	-5...100 kPa
Process connection	threaded connection G 1 external thread Aseptoflex Vario			

Application

Special feature	Gold-plated contacts		
Measuring element	ceramic-capacitive pressure measuring cell		
Temperature monitoring	no		
Application	flush mountable for the food and beverage industry		
Media	viscous media and liquids with suspended particles; liquids and gases		
Medium temperature [°C]	-25...150		
Min. bursting pressure	30000 mbar	435 psi	3000 kPa
Pressure rating	10000 mbar	145 psi	1000 kPa
Vacuum resistance [mbar]	-1000		
Type of pressure	relative pressure		
No dead space	yes		
MAWP for applications according to CRN [bar]	10		

Electrical data

Operating voltage [V]	18...30 DC
-----------------------	------------

PM1707



Flush pressure sensor

PM-001BREA01-E-ZVG/US

Min. insulation resistance	[MΩ]	100; (500 V DC)
Protection class		III
Reverse polarity protection		yes
Integrated watchdog		yes

2-wire		
Current consumption	[mA]	3.5...21.5
Power-on delay time	[s]	1

3-wire		
Current consumption	[mA]	< 45
Power-on delay time	[s]	0.5

Inputs / outputs	
Number of inputs and outputs	Number of digital outputs: 1; Number of analogue outputs: 1

Outputs	
Total number of outputs	2
Output signal	analogue signal; IO-Link; (configurable)
Number of digital outputs	1; (IO-Link)
Number of analogue outputs	1
Analogue current output	[mA] 4...20; (scalable)
Max. load	[Ω] 700; (U _b = 24 V; (U _b - 9 V) / 21.5 mA)
Short-circuit proof	yes
Overload protection	yes

Measuring/setting range				
Measuring range	-0.05...1 bar	-50...1000 mbar	-0.73...14.5 psi	-5...100 kPa
Analogue start point	-50...800 mbar	-0.73...11.6 psi	-5...80 kPa	
Analogue end point	150...1000 mbar	2.18...14.5 psi	15...100 kPa	
In steps of	0.5 mbar	0.01 psi	0.05 kPa	
Factory setting	ASP = 0.0 mbar	AEP = 1000 mbar		

Accuracy / deviations		
Repeatability	[% of the span] < ± 0,1; (with temperature fluctuations < 10 K; Turn down 1:1)	
Characteristics deviation	[% of the span] < ± 0,2; (linearity incl. hysteresis and repeatability, limit value setting to DIN EN IEC 62828-1)	
Linearity deviation	[% of the span] < ± 0,15; (Turn down 1:1)	
Hysteresis deviation	[% of the span] < ± 0,15; (Turn down 1:1)	
Long-term stability	[% of the span] < ± 0,1; (Turn down 1:1; per year)	
Total deviation over temperature range	Temperature range	total deviation
	-25...15 °C	Characteristics deviation ± 0,05 % of the span / 10 K
	15...80 °C	Characteristics deviation
	80...150 °C	Characteristics deviation ± 0,1 % of the span / 10 K
Notes on the accuracy / deviation	for further details see section Diagrams and graphs	

PM1707



Flush pressure sensor

PM-001BREA01-E-ZVG/US

Response times		
Damping for the analogue output dAA	[s]	0...4
2-wire		
Step response time analogue output	[ms]	30
3-wire		
Step response time analogue output	[ms]	7
Interfaces		
Communication interface	IO-Link	
Transmission type	COM2 (38,4 kBaud)	
IO-Link revision	1.1	
SDCI standard	IEC 61131-9	
Profiles	Smart Sensor - SSP 3.1 Common - I&D	Measuring Sensor Identification and Diagnosis
SIO mode	no	
Required master port type	A	
Process data analogue	3	
Min. process cycle time	[ms]	3.2
IO-Link resolution pressure	[mbar]	0.2
IO-Link process data (cyclical)	function pressure device status	bit length 16 4
IO-Link functions (acyclical)	application specific tag; internal temperature	
Supported DeviceIDs	Type of operation default	DeviceID 668
Operating conditions		
Ambient temperature	[°C]	-25...80
Storage temperature	[°C]	-40...100
Protection	IP 67; IP 68; IP 69K	
Tests / approvals		
EMC	DIN EN 61000-6-2 DIN EN 61000-6-3	
Shock resistance	DIN EN 60068-2-27	50 g (11 ms)
Vibration resistance	DIN EN 60068-2-6	20 g (10...2000 Hz)
MTTF	[years]	323
Note on approval	factory certificate available as download at www.factory-certificate.ifm	
UL approval	UL approval no.	J021
Mechanical data		
Weight	[g]	314
Housing	cylindrical	
Dimensions	[mm]	Ø 30.2 / L = 111
Materials	stainless steel (316L/1.4404); PBT	
Materials (wetted parts)	ceramics (99.9 % Al2O3); stainless steel (316L/1.4435) surface characteristics: Ra < 0,4 µm / Rz = 4 µm; PTFE	

PM1707



Flush pressure sensor

PM-001BREA01-E-ZVG/US

Min. pressure cycles		100 million
Tightening torque [Nm]		35
Process connection		threaded connection G 1 external thread Aseptoflex Vario

Remarks

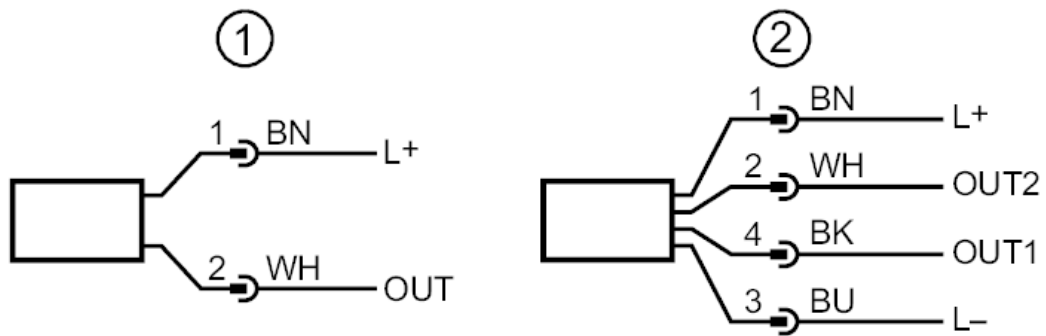
Pack quantity		1 pcs.
---------------	--	--------

Electrical connection

Connector: 1 x M12; coding: A; Contacts: gold-plated



Connection



- 1 connection for 2-wire operation (analogue)
- 2 connection for 3-wire operation (analogue / IO-Link)
OUT1 : IO-Link
OUT2 : analogue output

PM1707

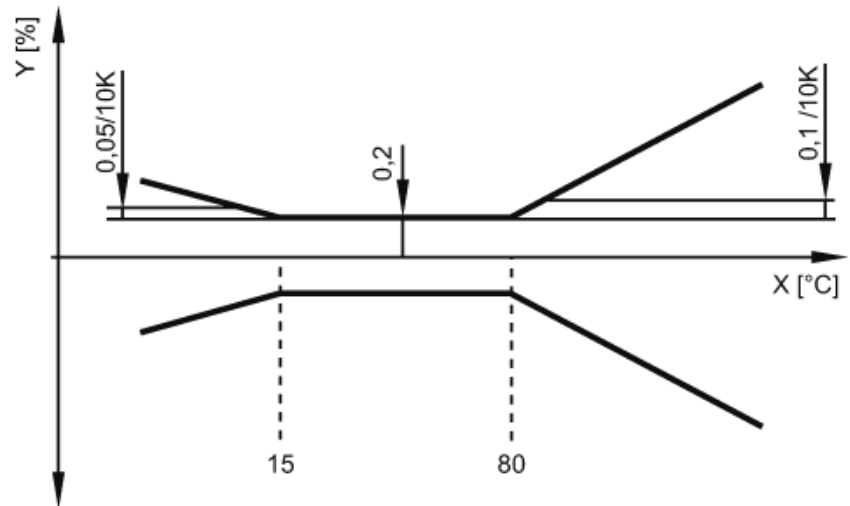


Flush pressure sensor

PM-001BREA01-E-ZVG/US

Diagrams and graphs

ambient temperature influence on the accuracy



X temperature
Y total deviation