

INDICATOR LIGHT, 22MM, ROUND, PLASTIC, CLEAR, SMOOTH LENS, WITH HOLDER, LAMPHOLDER BA 9S, W. INCAND. LAMP 130 V AC/DC, OPERATING VOLTAGE 230 V AC, SCREW TERMINAL, Z=50X PACK

Design of the product	Complete unit round
-----------------------	---------------------

Enclosure:

Shape of the enclosure front	round
Material of the enclosure	plastic
Number of command points	0

Actuator:

Design of the operating mechanism	indicator light
Product extension optional Light source	Yes
Color	
• of the actuating element	Clear
Material of the actuating element	plastic
Shape of the actuating element	Smooth lens
Number of switching positions	0

Front ring:

Product component front ring	No
------------------------------	----

Holder:

Material of the holder	Plastic
------------------------	---------

Contact block/ lampholder:

Mounting type	BA 9s with lamp
Number of lampholders	1
Number of switching elements	0

General technical data:

Product function	
• positive opening	No
• EMERGENCY STOP function	No
Product component	
• Light source	Yes
Protection class IP	IP66
Vibration resistance	
• acc. to IEC 60068-2-6	20 ... 200 Hz: 5g
Equipment marking	

- acc. to DIN 40719 extended according to IEC 204-2 acc. to IEC 750
- acc. to DIN EN 61346-2
- acc. to DIN EN 81346-2

H
P
P

Supply voltage:

Type of voltage of the supply voltage	
• of the light source	AC
Supply voltage 1 of the light source at AC	
• at 50 Hz rated value	230 V
• at 60 Hz rated value	230 V

Auxiliary circuit:

Number of NC contacts	
• for auxiliary contacts	0
Number of NO contacts	
• for auxiliary contacts	0
Number of CO contacts	
• for auxiliary contacts	0
Consumed current for rated value of supply voltage maximum	15 mA

Connections/ Terminals:

Type of electrical connection	screw-type terminals
Tightening torque of the screws in the bracket	1 ... 1.2 N·m

Ambient conditions:

Ambient temperature	
• during operation	-25 ... +60 °C
• during storage	-40 ... +80 °C
Environmental category during operation acc. to IEC 60721	3K6

Installation/ mounting/ dimensions:

Mounting type	front mounting
Shape of the installation opening	round
Mounting diameter	22 mm
Mounting height	11 mm
Installation width	28 mm
Installation depth	49 mm

Accessories:

Product component holder for 3 switching elements	No
--	----

Certificates/approvals

General Product Approval			Declaration of Conformity	Test Certificates	Shipping Approval
 CSA	 UL		 EG-Konf.	spezielle Prüfbescheinigungen <u>n</u>	 ABS

Shipping Approval				other	
 DNV	 LRS	 PRS	 RINA	Umweltbestätigung	sonstig

other
Bestätigungen

Further information

Information- and Downloadcenter (Catalogs, Brochures,...)

<http://www.siemens.com/industrial-controls/catalogs>

Industry Mall (Online ordering system)

<https://mall.industry.siemens.com/mall/en/en/Catalog/product?mlfb=3SB3212-6AA70-Z X90>

Cax online generator

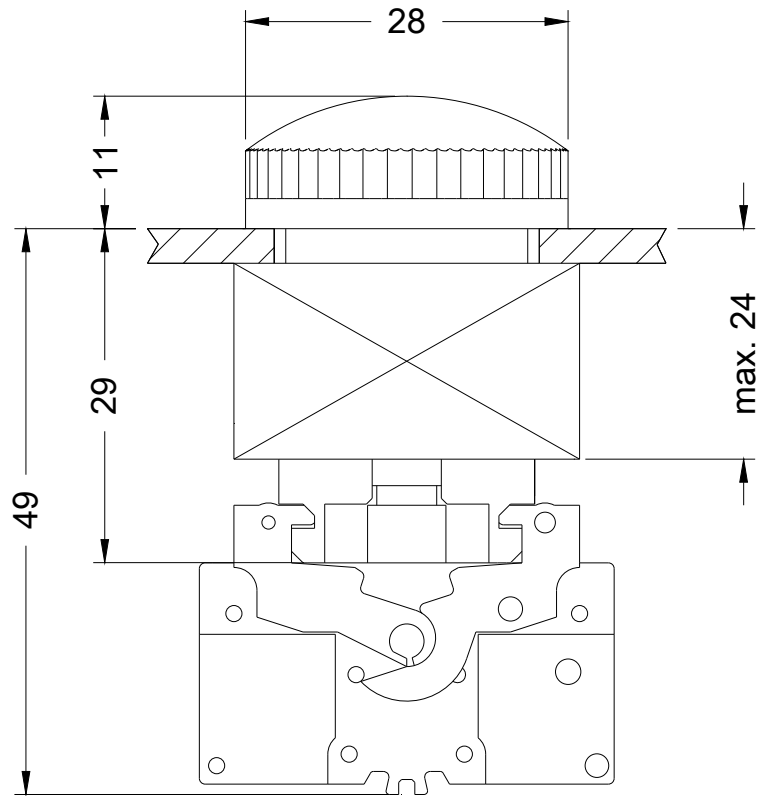
<http://support.automation.siemens.com/WW/CAXorder/default.aspx?lang=en&mlfb=3SB3212-6AA70-Z X90>

Service&Support (Manuals, Certificates, Characteristics, FAQs,...)

<https://support.industry.siemens.com/cs/ww/en/ps/3SB3212-6AA70-Z X90>

Image database (product images, 2D dimension drawings, 3D models, device circuit diagrams, EPLAN macros, ...)

http://www.automation.siemens.com/bilddb/cax_de.aspx?mlfb=3SB3212-6AA70-Z X90&lang=en



last modified:

08/18/2016