

# SACC-M 8FS-4QO-0,5-VA - Connector



1426316

<https://www.phoenixcontact.com/gb/products/1426316>

Please be informed that the data shown in this PDF document is generated from our online catalog. Please find the complete data in the user documentation. Our general terms of use for downloads are valid.



Connector, 4-position, Socket straight M8, coding: A, Insulation displacement connection, knurl material: Stainless steel 1.4305, external cable diameter 2.5 mm ... 5 mm

## Your advantages

- Safe use in the field, thanks to a high degree of protection
- Insulation displacement connection: innovative and time-saving assembly without stripping the single wire

## Commercial data

Item number	1426316
Packing unit	1 pc
Minimum order quantity	1 pc
Sales key	AF2BCA
Product key	AF2BCA
GTIN	4055626457666
Weight per piece (including packing)	6.8 g
Weight per piece (excluding packing)	6.7 g
Customs tariff number	85366990
Country of origin	DE

# SACC-M 8FS-4QO-0,5-VA - Connector



1426316

<https://www.phoenixcontact.com/gb/products/1426316>

## Technical data

### Notes

Assembly note	<b>NOTE:</b> Observe the permissible bending radii when routing cables, since the degree of protection may be at risk if the bending forces are too high. Reduce mechanical loads upstream of the connector, e.g., by using cable ties.
---------------	---

### Product properties

Product type	Circular connector (cable-side)
Number of positions	4
No. of cable outlets	1
Shielded	no
Coding	A
Cable outlet	straight

### Insulation characteristics

Overvoltage category	II
Degree of pollution	3

### Dimensions

#### External dimensions

Outside diameter	2.5 mm ... 5 mm ±0.2 mm
------------------	-------------------------

### Material specifications

Flammability rating according to UL 94	HB
Seal material	NBR
Material of grip body	PA 6
Contact material	CuSn
Contact surface material	Ni/Au
Contact carrier material	TPU GF
Material for screw connection	Stainless steel 1.4305
Wire insulation material	PVC / PE / PP / rubber

### Connection data

#### Conductor connection

Connection method	Insulation displacement connection
Connection cross section	0.25 mm <sup>2</sup> ... 0.5 mm <sup>2</sup>
Connection cross section AWG	24 ... 20
Tightening torque	0.6 Nm (Pressure nut)
	0.2 Nm (M8 knurl)

### Electrical properties

Contact resistance	≤ 5 mΩ
--------------------	--------

# SACC-M 8FS-4QO-0,5-VA - Connector



1426316

<https://www.phoenixcontact.com/gb/products/1426316>

Insulation resistance	≥ 100 MΩ
Nominal voltage U <sub>N</sub>	30 V AC
	30 V DC
Nominal current I <sub>N</sub>	4 A

## Mechanical properties

### Mechanical data

Insertion/withdrawal cycles	≥ 100
-----------------------------	-------

## Connector

### Connection 1

Head design	Socket
Head cable outlet	straight
Head thread type	M8
Coding	A

## Cable/line

External cable diameter	2.5 mm ... 5 mm
-------------------------	-----------------

## Environmental and real-life conditions

### Ambient conditions

Degree of protection	IP65
	IP67
	IP69K
Ambient temperature (operation) (male connector/female connector)	-25 °C ... 80 °C (Plug / socket)

## Standards and regulations

### M8

Standard designation	M8 connector
Standards/specifications	IEC 61076-2-104

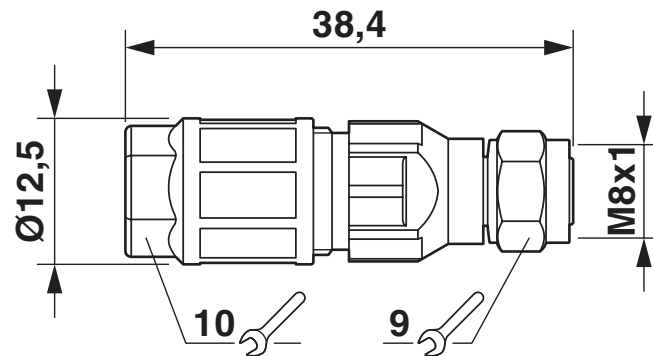
# SACC-M 8FS-4QO-0,5-VA - Connector

1426316

<https://www.phoenixcontact.com/gb/products/1426316>

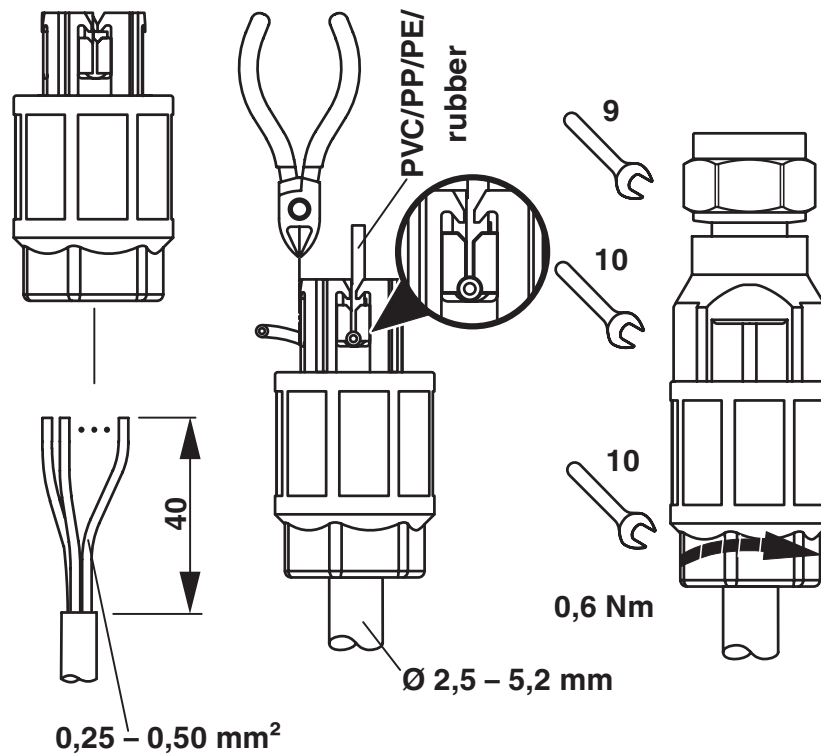
## Drawings

Dimensional drawing



Socket M8 x 1, straight

Functional drawing

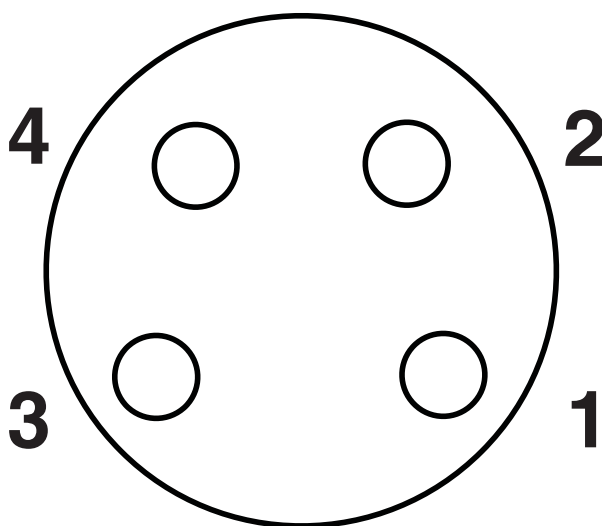


# SACC-M 8FS-4QO-0,5-VA - Connector

1426316

<https://www.phoenixcontact.com/gb/products/1426316>

Schematic diagram



Pin assignment of M8 socket, 4-pos., view of pin side

# SACC-M 8FS-4QO-0,5-VA - Connector



1426316

<https://www.phoenixcontact.com/gb/products/1426316>

## Classifications

### ECLASS

ECLASS-13.0	27440116
ECLASS-15.0	27440116

### ETIM

ETIM 9.0	EC002635
----------	----------

### UNSPSC

UNSPSC 21.0	39121400
-------------	----------

# SACC-M 8FS-4QO-0,5-VA - Connector



1426316

<https://www.phoenixcontact.com/gb/products/1426316>

## Environmental product compliance

### EU RoHS

Fulfills EU RoHS substance requirements	Yes, No exemptions
---	--------------------

### China RoHS

Environment friendly use period (EFUP)	EFUP-E
	No hazardous substances above the limits

### EU REACH SVHC

REACH candidate substance (CAS No.)	No substance above 0.1 wt%
-------------------------------------	----------------------------

### EF3.0 Climate Change

CO2e kg	1.01 kg CO2e
---------	--------------

Phoenix Contact 2025 © - all rights reserved  
<https://www.phoenixcontact.com>

PHOENIX CONTACT Ltd  
Halesfield 13, Telford  
Shropshire, TF7 4PG  
01952 681700  
[info@phoenixcontact.co.uk](mailto:info@phoenixcontact.co.uk)