

# FLKM 50/ 4-FLK14/PA-MODI-TSX/Q - Front adapter



2294416

<https://www.phoenixcontact.com/gb/products/2294416>

Please be informed that the data shown in this PDF document is generated from our online catalog. Please find the complete data in the user documentation. Our general terms of use for downloads are valid.



VARIOFACE front adapter, for Schneider Electric Modicon TSX Quantum, 4 x 8 channels can be connected

## Commercial data

Item number	2294416
Packing unit	1 pc
Minimum order quantity	1 pc
Sales key	DK231F
Product key	DK231F
GTIN	4017918145187
Weight per piece (including packing)	226.2 g
Weight per piece (excluding packing)	205.94 g
Customs tariff number	85369010
Country of origin	DE

2294416

<https://www.phoenixcontact.com/gb/products/2294416>

## Technical data

### Product properties

Product type	Front adapter
--------------	---------------

### Insulation characteristics

Insulation	Functional insulation
Overvoltage category	II
Pollution degree	2

### Electrical properties

Operating voltage (AC)	≤ 25 V AC
Operating voltage (DC)	≤ 60 V DC
Max. permissible current	4 A (per connection, supply via separate power supply)
Current (Per path)	≤ 1 A
Rated insulation voltage	63 V
Rated surge voltage	0.6 kV

### Supported controller SCHNEIDER ELECTRIC Modicon TSX QUANTUM

Suitable I/O card	DDI 353
	DDI 853
	DAI 353
	DAI 453
	DDO 353

### Connection data

#### Field level

Connection method	IDC/FLK pin strip
Number of connections	4
Number of positions	14
Pitch	2.54 mm

### Environmental and real-life conditions

#### Ambient conditions

Degree of protection	IP00
Ambient temperature (operation)	-20 °C ... 50 °C
Ambient temperature (storage/transport)	-20 °C ... 70 °C

### Standards and regulations

Standards/regulations	IEC 60664
	DIN EN 50178

### Mounting

Mounting position	any
-------------------	-----

# FLKM 50/ 4-FLK14/PA-MODI-TSX/Q - Front adapter



2294416

<https://www.phoenixcontact.com/gb/products/2294416>

## Notes

Notes on operation

For proper use, the specifications of the installation directive (see Downloads) must be observed. For applications or use with third-party products, the specifications, and the safety and warning instructions of the respective third-party manufacturer must also be met.

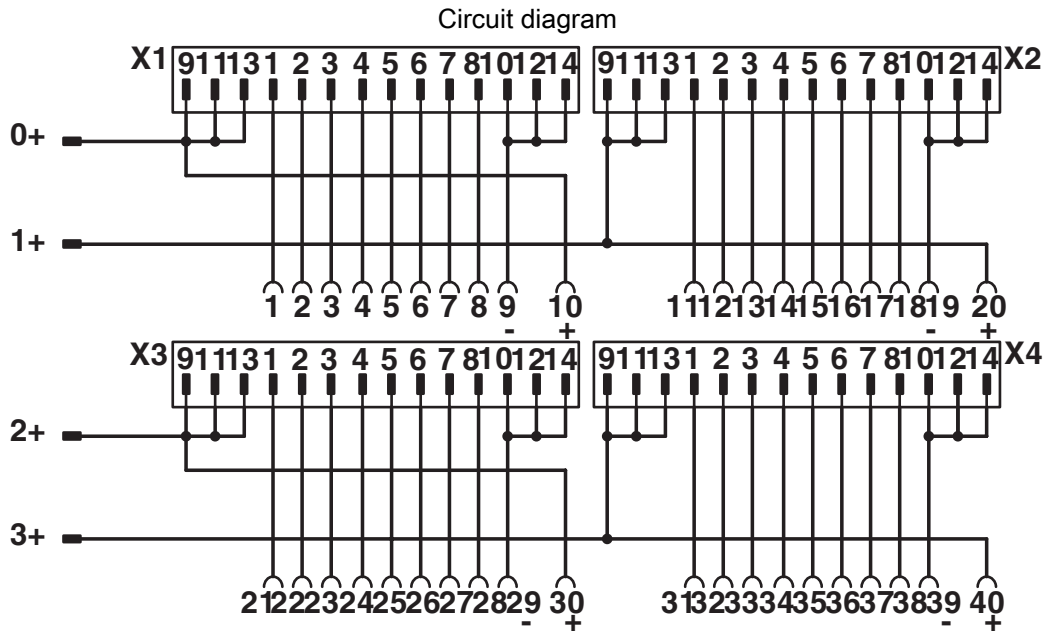
# FLKM 50/ 4-FLK14/PA-MODI-TSX/Q - Front adapter



2294416

<https://www.phoenixcontact.com/gb/products/2294416>

## Drawings



Connection scheme FLKM 50/ 4-FLK14/PA-MODI-TSX/Q

# FLKM 50/ 4-FLK14/PA-MODI-TSX/Q - Front adapter



2294416

<https://www.phoenixcontact.com/gb/products/2294416>

## Classifications

### ECLASS

ECLASS-13.0

27242292

### ETIM

ETIM 8.0

EC002584

### UNSPSC

UNSPSC 21.0

32151600

# FLKM 50/ 4-FLK14/PA-MODI-TSX/Q - Front adapter



2294416

<https://www.phoenixcontact.com/gb/products/2294416>

## Environmental product compliance

### EU RoHS

Fulfills EU RoHS substance requirements	Yes, No exemptions
---	--------------------

### China RoHS

Environment friendly use period (EFUP)	EFUP-E
	No hazardous substances above the limits

### EU REACH SVHC

REACH candidate substance (CAS No.)	No substance above 0.1 wt%
-------------------------------------	----------------------------

Phoenix Contact 2025 © - all rights reserved  
<https://www.phoenixcontact.com>

PHOENIX CONTACT Ltd  
Halesfield 13, Telford  
Shropshire, TF7 4PG  
01952 681700  
[info@phoenixcontact.co.uk](mailto:info@phoenixcontact.co.uk)