

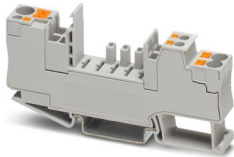
CB 1/6-2/4 PT-BE - Base element

2800929

<https://www.phoenixcontact.com/gb/products/2800929>

Please be informed that the data shown in this PDF document is generated from our online catalog. Please find the complete data in the user documentation. Our general terms of use for downloads are valid.

Base element with push-in connection technology for CB ... device circuit breakers



Your advantages

- Fast installation with reduced wiring work with bridging options
- Can be extended at any time with the modular design
- Fast and reliable installation thanks to Push-in connection technology
- Clear assignment of protective plug with coding options

Commercial data

Item number	2800929
Packing unit	10 pc
Minimum order quantity	10 pc
Sales key	CLA193
Product key	CLA193
GTIN	4046356690638
Weight per piece (including packing)	33.11 g
Weight per piece (excluding packing)	33.021 g
Customs tariff number	85366990
Country of origin	PL

CB 1/6-2/4 PT-BE - Base element



2800929

<https://www.phoenixcontact.com/gb/products/2800929>

Technical data

Product properties

Product type	Base element
Product family	CB BE
Type	Base element, DIN rail mounting

Insulation characteristics

Overvoltage category	III
Degree of pollution	3

Electrical properties

Maximum load current	16 A
Maximum power dissipation for nominal condition	0 VA
Nominal voltage U_N	300 V

General

Rated insulation voltage U_i	250 V
Rated surge voltage	4 kV
Insertion/withdrawal cycles	100

Indicator/remote signaling

Connection name	Remote indication circuit
Switching function	Changeover contact

Connection data

Maximum load current	16 A
Connection method	Push-in connection
Conductor cross-section flexible (ferrule without plastic sleeve)	0.5 mm ² Connection 1 ... 6 mm ² Connection 1
Flexible conductor cross section (ferrule with plastic sleeve)	0.5 mm ² Connection 1 ... 6 mm ² Connection 1
Conductor cross-section flexible (2 conductors with the same cross-section, with TWIN ferrule and plastic sleeve)	0.5 mm ² Connection 1 ... 1 mm ² Connection 1
Conductor cross-section flexible (ferrule without plastic sleeve)	0.25 mm ² Connection 2.1/2.2 ... 4 mm ² Connection 2.1/2.2
Flexible conductor cross section (ferrule with plastic sleeve)	0.25 mm ² Connection 2.1/2.2 ... 4 mm ² Connection 2.1/2.2
Conductor cross-section flexible (2 conductors with the same cross-section, with TWIN ferrule and plastic sleeve)	0.5 mm ² Connection 2.1/2.2 ... 1 mm ² Connection 2.1/2.2
Conductor cross-section flexible (ferrule without plastic sleeve)	0.14 mm ² Connection 12/11/14 ... 1 mm ² Connection 12/11/14
Flexible conductor cross section (ferrule with plastic sleeve)	0.14 mm ² Connection 12/11/14 ... 1.5 mm ² Connection 12/11/14

Connection cross sections directly pluggable

Conductor cross section rigid	1 mm ² ... 6 mm ²
Conductor cross-section flexible (ferrule without plastic sleeve)	0.5 mm ² Connection 1 ... 6 mm ² Connection 1
Flexible conductor cross section (ferrule with plastic sleeve)	0.5 mm ² Connection 1 ... 6 mm ² Connection 1
Conductor cross section rigid	0.5 mm ² ... 6 mm ²
Conductor cross-section flexible (ferrule without plastic sleeve)	0.5 mm ² Connection 2.1/2.2 ... 4 mm ² Connection 2.1/2.2
Flexible conductor cross section (ferrule with plastic sleeve)	0.75 mm ² Connection 2.1/2.2 ... 4 mm ² Connection 2.1/2.2

CB 1/6-2/4 PT-BE - Base element

2800929

<https://www.phoenixcontact.com/gb/products/2800929>

Conductor cross section rigid	0.25 mm ² ... 1.5 mm ²
Conductor cross-section flexible (ferrule without plastic sleeve)	0.34 mm ² Connection 12/11/14 ... 1 mm ² Connection 12/11/14
Flexible conductor cross section (ferrule with plastic sleeve)	0.34 mm ² Connection 12/11/14 ... 1.5 mm ² Connection 12/11/14

Connection 1

Connection method	Push-in connection
Stripping length	12 mm
Conductor cross section flexible min.	0.5 mm ²
Conductor cross section flexible max.	6 mm ²
Conductor cross section, rigid min.	0.5 mm ²
Conductor cross section, rigid max.	6 mm ²

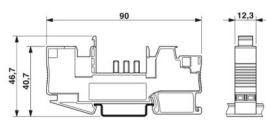
Connection 2.1/2.2

Connection method	Push-in connection
Stripping length	12 mm
Conductor cross section flexible min.	0.2 mm ²
Conductor cross section flexible max.	4 mm ²
Conductor cross section, rigid min.	0.2 mm ²
Conductor cross section, rigid max.	6 mm ²

Remote indication circuit

Connection method	Push-in connection
Stripping length	8 mm
Conductor cross section flexible	0.14 mm ² ... 1.5 mm ²
Conductor cross section rigid	0.14 mm ² ... 1.5 mm ²
Conductor cross section AWG	26 ... 16
Conductor cross section, flexible, with ferrule, with plastic sleeve	0.14 mm ² ... 1.5 mm ²

Dimensions

Dimensional drawing	
Width	12.3 mm
Height	90 mm
Depth	46.7 mm

Material specifications

Color	gray (RAL 7042)
	black (RAL 9005)
Flammability rating according to UL 94	V0
Insulating material group	I
Insulating material	PA 6.6

Mechanical properties

CB 1/6-2/4 PT-BE - Base element



2800929

<https://www.phoenixcontact.com/gb/products/2800929>

Mechanical data

Open side panel	No
-----------------	----

Environmental and real-life conditions

Ambient conditions

Degree of protection	IP30 (Actuation area)
Ambient temperature (operation)	-30 °C ... 60 °C
Ambient temperature (storage/transport)	-40 °C ... 120 °C

Standards and regulations

Standards/specifications	IEC 60947-7-1
--------------------------	---------------

Mounting

Mounting type	DIN rail: 35 mm
---------------	-----------------

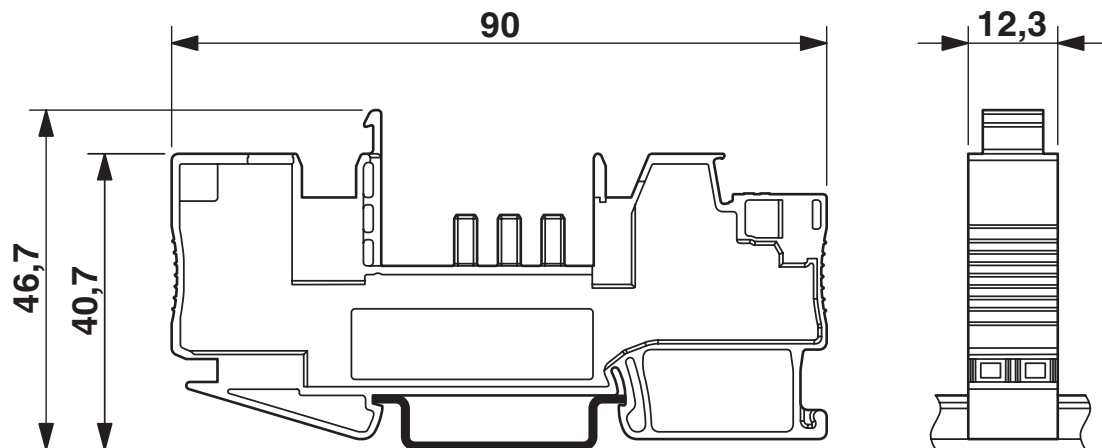
CB 1/6-2/4 PT-BE - Base element

2800929

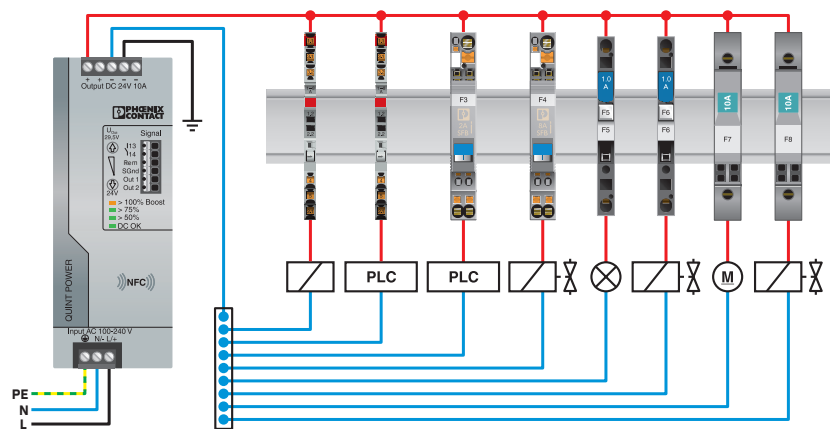
<https://www.phoenixcontact.com/gb/products/2800929>

Drawings

Dimensional drawing



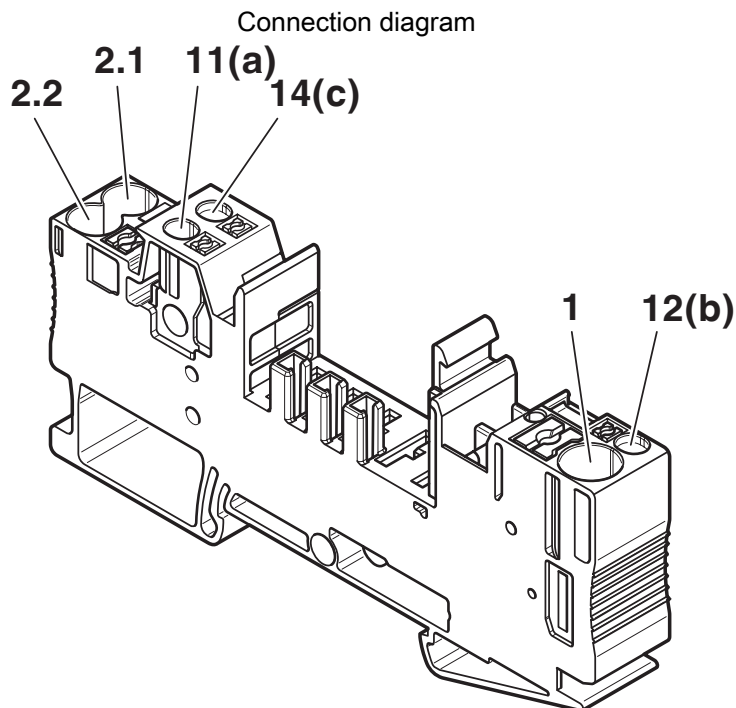
Application drawing



CB 1/6-2/4 PT-BE - Base element

2800929

<https://www.phoenixcontact.com/gb/products/2800929>



1	12 mm	0.5 - 6 mm ² AWG 20-10		
2.1 / 2.2		0.25 - 6 mm ² AWG 24-10	0.2 - 4 mm ² AWG 24-12	
11(a)/12 (b)/ 14 (c)	8 mm	0.14 - 1.5 mm ² AWG 26-16	0.14 - 1 mm ² AWG 26-18	0.14 - 1.5 mm ² AWG 26-16

Connection of the cables

CB 1/6-2/4 PT-BE - Base element



2800929

<https://www.phoenixcontact.com/gb/products/2800929>

Approvals

To download certificates, visit the product detail page: <https://www.phoenixcontact.com/gb/products/2800929>



CSA

Approval ID: 2782003



cUL Recognized

Approval ID: File E60425



UL Recognized

Approval ID: File E60425



DNV GL

Approval ID: TAE00003C7

UAE-RoHS

Approval ID: 23-10-88708



cULus Listed

Approval ID: E123528

CB 1/6-2/4 PT-BE - Base element



2800929

<https://www.phoenixcontact.com/gb/products/2800929>

Classifications

ECLASS

ECLASS-13.0	27140401
ECLASS-15.0	27140401

ETIM

ETIM 9.0	EC003538
----------	----------

UNSPSC

UNSPSC 21.0	39121400
-------------	----------

CB 1/6-2/4 PT-BE - Base element



2800929

<https://www.phoenixcontact.com/gb/products/2800929>

Environmental product compliance

EU RoHS

Fulfills EU RoHS substance requirements	Yes, No exemptions
---	--------------------

China RoHS

Environment friendly use period (EFUP)	EFUP-E
	No hazardous substances above the limits

EU REACH SVHC

REACH candidate substance (CAS No.)	No substance above 0.1 wt%
-------------------------------------	----------------------------

Phoenix Contact 2025 © - all rights reserved

<https://www.phoenixcontact.com>

PHOENIX CONTACT Ltd
Halesfield 13, Telford
Shropshire, TF7 4PG
01952 681700
info@phoenixcontact.co.uk