

# PLT-T3-IT-230-FM - Type 3 surge protection device



2906450

<https://www.phoenixcontact.com/gb/products/2906450>

Please be informed that the data shown in this PDF document is generated from our online catalog. Please find the complete data in the user documentation. Our general terms of use for downloads are valid.



Surge protection type 3, as device protection for termination devices in IT systems, error indication and remote indicator contact. Design: 230 V AC

## Commercial data

Item number	2906450
Packing unit	1 pc
Minimum order quantity	1 pc
Sales key	CL1411
Product key	CL1411
GTIN	4055626077338
Weight per piece (including packing)	85.8 g
Weight per piece (excluding packing)	70.04 g
Customs tariff number	85363010
Country of origin	DE

# PLT-T3-IT-230-FM - Type 3 surge protection device



2906450

<https://www.phoenixcontact.com/gb/products/2906450>

## Technical data

### Product properties

Product type	Device protection
Product family	PLUGTRAB PT
IEC power supply system	IT
Type	Base element, DIN rail mounting
Number of positions	2
Surge protection fault message	Optical, remote indicator contact

### Insulation characteristics

Overvoltage category	III
Pollution degree	2
IEC test classification	III
EN type	T3
Number of ports	One

### Electrical properties

#### Indicator/remote signaling

Connection name	Remote fault indicator contact
Switching function	N/C contact
Operating voltage	250 V AC
	125 V DC (200 mA DC)
Operating current	3 A AC
	1 A DC (30 V DC)

### Connection data

Connection method	Screw connection
Screw thread	M3
Tightening torque	0.8 Nm
Conductor cross section flexible	0.2 mm <sup>2</sup> ... 2.5 mm <sup>2</sup>
Conductor cross section rigid	0.2 mm <sup>2</sup> ... 4 mm <sup>2</sup>
Conductor cross section AWG	24 ... 12

### Dimensions

Dimensional drawing	
Width	17.7 mm
Height	90 mm

# PLT-T3-IT-230-FM - Type 3 surge protection device



2906450

<https://www.phoenixcontact.com/gb/products/2906450>

Depth	65.5 mm
Horizontal pitch	1 Div.

## Material specifications

Color	black (RAL 9005)
Flammability rating according to UL 94	V-0
CTI value of material	600
Insulating material	PA 6.6
Housing material	PA 6.6

## Protective circuit

Mode of protection	L-L
	L-PE
Direction of action	1L-N & N-PE
Nominal voltage $U_N$	230 V AC (IT)
Nominal frequency $f_N$	50 Hz (60 Hz)
Maximum continuous operating voltage $U_C$ (L-L)	275 V AC
Maximum continuous operating voltage $U_C$ (L-N)	275 V AC
Maximum continuous operating voltage $U_C$ (L-PE)	440 V AC
Rated load current $I_L$	16 A (60 °C)
Protective conductor current $I_{PE}$	$\leq 1 \mu A$
Standby power consumption $P_C$	$\leq 340$ mVA
Reference test voltage $U_{REF}$	255 V AC
Nominal discharge current $I_n$ (8/20) $\mu s$	3 kA
Maximum discharge current $I_{max}$ (8/20) $\mu s$	8 kA
Combination wave $U_{OC}$	6 kV
Voltage protection level $U_p$ (L-L)	$\leq 1.2$ kV
Voltage protection level $U_p$ (L-N)	$\leq 1.2$ kV
Voltage protection level $U_p$ (L-PE)	$\leq 1.5$ kV
Residual voltage at $I_{max}$ , (L-PE)	$\leq 1$ kV (at 1 kA)
	$\leq 1.5$ kV (at $U_{OC}$ )
TOV behavior at $U_T$ (L-PE)	440 V AC (120 min / withstand mode)
	1455 V AC (200 ms / safe failure mode)
Response time $t_A$ (L-N)	$\leq 25$ ns
Response time $t_A$ (L-PE)	$\leq 100$ ns
Max. required back-up fuse	16 A (MCB B)
Short-circuit current rating $I_{SCCR}$	1.5 kA AC
Max. backup fuse with branch wiring	16 A (MCB B)

## Environmental and real-life conditions

### Ambient conditions

Degree of protection	IP20
Ambient temperature (operation)	-40 °C ... 70 °C
Ambient temperature (storage/transport)	-40 °C ... 70 °C

# PLT-T3-IT-230-FM - Type 3 surge protection device



2906450

<https://www.phoenixcontact.com/gb/products/2906450>

Altitude	≤ 2000 m (amsl)
Permissible humidity (operation)	5 % ... 95 %

## Standards and regulations

Standards/specifications	IEC 61643-11
Note	2011
Standards/specifications	EN 61643-11
Note	2012

## Mounting

Mounting type	DIN rail: 35 mm
---------------	-----------------

# PLT-T3-IT-230-FM - Type 3 surge protection device



2906450

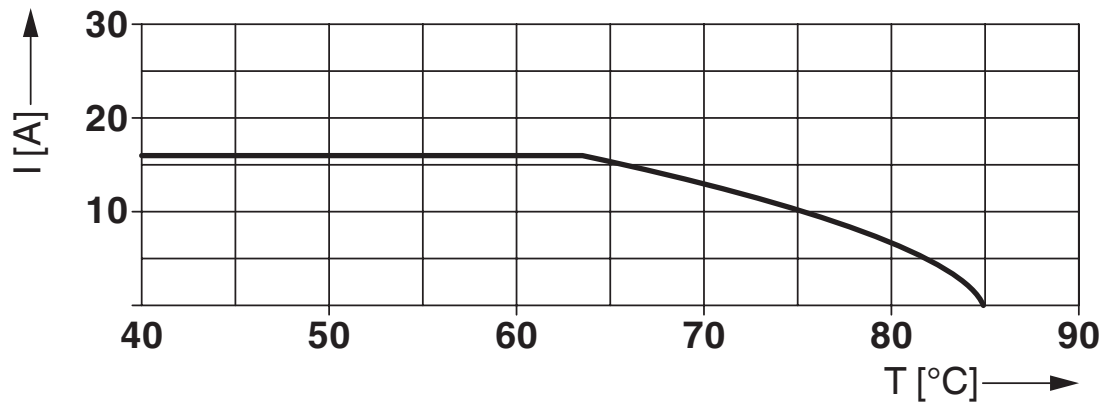
<https://www.phoenixcontact.com/gb/products/2906450>

## Drawings

Dimensional drawing



Diagram



Nominal current depending on ambient temperature

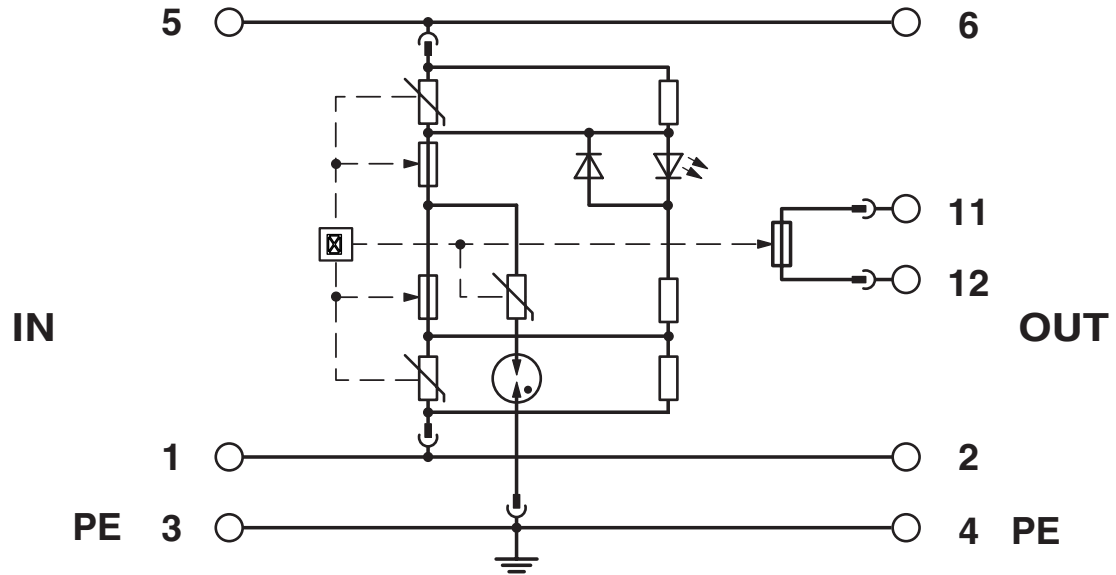
# PLT-T3-IT-230-FM - Type 3 surge protection device



2906450

<https://www.phoenixcontact.com/gb/products/2906450>

Circuit diagram



# PLT-T3-IT-230-FM - Type 3 surge protection device



2906450

<https://www.phoenixcontact.com/gb/products/2906450>

## Approvals

To download certificates, visit the product detail page: <https://www.phoenixcontact.com/gb/products/2906450>



**EAC**

Approval ID: RU C-DE.\*09.B.00169

**UAE-RoHS**

Approval ID: 23-10-88890

# PLT-T3-IT-230-FM - Type 3 surge protection device



2906450

<https://www.phoenixcontact.com/gb/products/2906450>

## Classifications

### ECLASS

ECLASS-13.0	27171203
ECLASS-15.0	27171203

### ETIM

ETIM 9.0	EC000942
----------	----------

### UNSPSC

UNSPSC 21.0	39121600
-------------	----------

# PLT-T3-IT-230-FM - Type 3 surge protection device



2906450

<https://www.phoenixcontact.com/gb/products/2906450>

## Environmental product compliance

### EU RoHS

Fulfills EU RoHS substance requirements	Yes
Exemption	7(a), 7(c)-I

### China RoHS

Environment friendly use period (EFUP)	EFUP-50
	An article-related China RoHS declaration table can be found in the download area for the respective article under "Manufacturer declaration". For all articles with EFUP-E, no China RoHS declaration table issued and required.

### EU REACH SVHC

REACH candidate substance (CAS No.)	No substance above 0.1 wt%
-------------------------------------	----------------------------

Phoenix Contact 2025 © - all rights reserved  
<https://www.phoenixcontact.com>

PHOENIX CONTACT Ltd  
Halesfield 13, Telford  
Shropshire, TF7 4PG  
01952 681700  
[info@phoenixcontact.co.uk](mailto:info@phoenixcontact.co.uk)